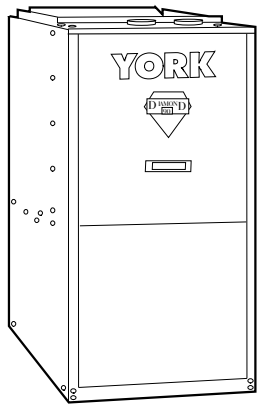


Heating and Air Conditioning



MODEL P3UR

USER'S INFORMATION MANUAL

HIGH EFFICIENCY GAS FIRED FURNACES



WARNING: If the information in this manual is not followed exactly, a fire or explosion may result causing property damage, personal injury or loss of life.

- Do not store or use gasoline or other flammable vapors and liquids in the vicinity of this or any other appliance.
- WHAT TO DO IF YOU SMELL GAS
 - Do not try to light any appliance.
 - Do not touch any electrical switch; do not use any phone in your building.
 - Immediately call your gas supplier from a neighbor's phone. Follow the gas supplier's instructions.
 - If you cannot reach your gas supplier, call the fire department.
- Installation and service must be performed by a qualified installer, service agency or the gas supplier.

Congratulations . . .

On your purchase of one of the most versatile furnaces available in the industry today. This compact, energy-efficient furnace has been precision designed, manufactured of high-quality materials and has passed many rigorous inspections and tests to ensure many years of satisfactory service.

This booklet is meant to increase your understanding of your unit, tell you how to operate it efficiently and how to obtain the greatest measure of comfort at the lowest operating expense. Please read this booklet thoroughly. We appreciate your interest in our product and your decision to purchase our furnace. Enjoy your comfort.

HOW YOUR GAS FURNACE WORKS

Your furnace is a very easy appliance to take for granted. Season after season, it sits there in your home, keeping you warm and comfortable. For this reason, you may never have given much thought to the way your furnace operates. In order to get the safest and most efficient operation from your furnace, though, you should understand how your furnace does its job.


When you set your thermostat to provide more heat in your home, you are starting the heating cycle of the furnace. The gas valve inside the furnace opens to supply gas to the burners. The hot surface igniter lights the main burners. When the temperature inside the furnace reaches the operating level, the blower starts and distributes the warm air throughout the home. When the temperature set on the thermostat is reached, the gas valve closes, the main burners are turned off, and the blower continues to run until the remaining warm air in the system is distributed. When the blower stops, the heating cycle has ended.


KEEP THE FURNACE AREA CLEAR

NEVER . . . use the area around your furnace as a storage area for items which could block the normal flow of air. This flow of air is required for ventilation of the various furnace components.

NEVER . . . store flammable materials of any kind near your furnace. Gasoline, solvents, and other volatile liquids should be stored only in approved containers outside your home. These materials vaporize easily and are extremely dangerous.

NEVER . . . store cleaning materials near your furnace. Materials such as bleaches, detergents, powdered cleansers, etc., can cause corrosion of the heat exchangers.

 **WARNING:** Insulating materials may be flammable.

 **CAUTION:** When a furnace is installed in an attic or other insulated space, or if insulation is added, examine the furnace to ensure that the furnace is kept clear and free of insulation.

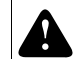
START-UP AND SHUTDOWN - GENERAL INSTRUCTIONS

Read and follow these procedures CAREFULLY and COMPLETELY.

Before attempting to start your furnace, always do the following things FIRST:

- Turn the thermostat OFF.
- Open windows or make other provisions to ventilate the area around the furnace.
- If the blower is running, wait until it shuts off automatically.
- Turn off all electrical power to the furnace.
- Make sure all metal surfaces of the furnace have cooled to room temperature before beginning.

FOR YOUR SAFETY, READ BEFORE OPERATING:

 **WARNING:** If you do not follow these instructions exactly, a fire or explosion may result, causing property damage, personal injury or loss of life.

- A. This appliance does not have a pilot. It is equipped with an ignition device which automatically lights the burners. Do not try to light the burners by hand.
- B. BEFORE OPERATING, smell all around the appliance area for gas. Be sure to smell next to the floor because some gas is heavier than air and will settle on the floor.

WHAT TO DO IF YOU SMELL GAS:

- Do not try to light any appliance.
- Do not touch any electrical switch; do not use any phone in your building.
- Immediately call your gas supplier from a neighbor's phone. Follow the gas supplier's instructions.

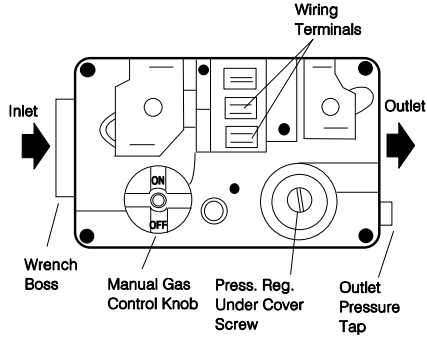
- If you cannot reach your gas supplier, call the fire department.
- C. Use only your hand to turn the gas control knob. Never use tools. If the knob will not turn by hand, don't try to repair it. Call a qualified service technician. Force or attempted repair may result in a fire or explosion.



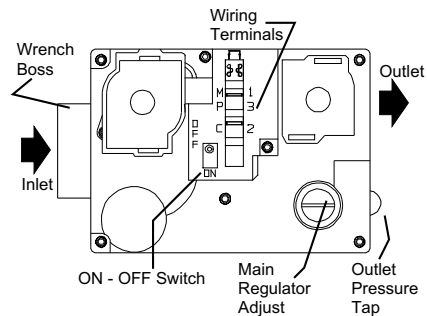
WARNING: Do not use this furnace if any part has been under water. Immediately call a qualified service technician to inspect the furnace and to replace any part of the control system and any gas control which has been underwater.

LIGHTING INSTRUCTIONS

1. STOP! Read all preceding safety information.
2. Set the thermostat to lowest setting.
3. Make sure all electrical power to the furnace is OFF.
4. This furnace is equipped with a hot surface ignition device which automatically lights the burners. Do not try to light the burners by hand.
5. Remove the control access panel by lifting the panel up and outward.
6. Turn knob on the gas control clockwise to the "OFF" position.
7. Wait five minutes to clear out any gas. If you then smell gas, STOP! Follow step B in the preceding safety information. If you don't smell gas, go to the next step.
8. Turn the knob on the gas control counterclockwise to the "ON" position.
9. Replace the control access panel.
10. Turn on electrical power to furnace.
11. Set the thermostat setting.
12. The unit will go through a 17-second igniter warm-up period. Then if the unit does not light within 4 seconds, the unit will go through two additional cycles before locking out.
13. If the furnace will not operate, follow the instructions "To Turn OFF Gas To Furnace" and call your service technician or gas supplier.



WHITE-RODGERS 36E98 VALVE



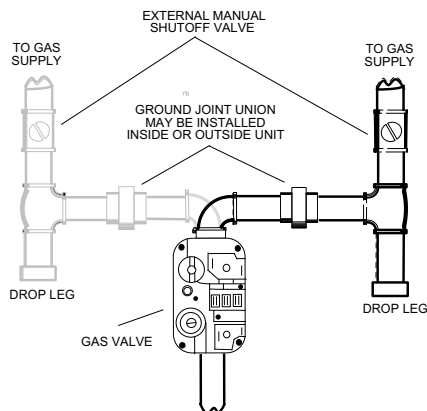
WHITE-RODGERS 36E24 VALVE

SHUTDOWN INSTRUCTIONS TO TURN OFF GAS TO FURNACE



CAUTION: Should overheating occur, or the gas supply fail to shut off, shut off the manual shut-off valve to the furnace before shutting off the electrical supply..

1. Set thermostat to the lowest setting.



TYPICAL GAS PIPING

2. Turn off all electrical power to the furnace if service is to be performed.
3. Remove the control access panel.
4. Turn the knob on the gas control clockwise to OFF.
5. Replace the control access panel.

YOUR FURNACE'S FILTER - WHAT IT DOES

The filter in your furnace takes the lint and dust out of the air that passes through it. This keeps dirt particles from getting into the moving parts of the furnace, where they could cause serious damage. It also keeps the dirt from circulating through your home.

As the filter continues to collect these particles, it becomes clogged and no longer allows enough air to circulate through the furnace. If this happens, the heat exchangers and blower motor could overheat; a potentially dangerous situation. It is very important to keep the air filter clean!

Never operate your furnace without a suitable air filter.

FREQUENCY OF CHECKING FILTERS

Clean your furnace's filter at least every three months. If you need to replace a filter, check the filter chart to be sure you install the right size and type of filter for your furnace.

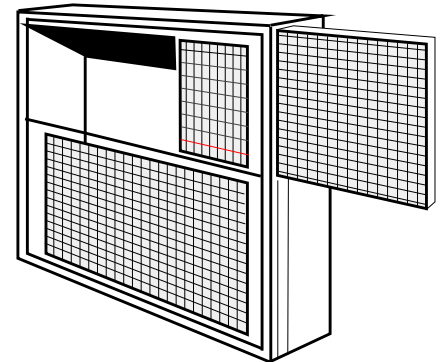
If your home is new, you should check the filter every week for the first four weeks after you begin to use the furnace, and then at least every three weeks after that, especially if the system runs constantly.

LOCATING/REMOVING FILTERS

Most upflow furnaces have their filters located on the side or bottom of the furnace, inside the blower compartment.

Some models may have the filter located in an accessory such as a single side return filter frame.

If your furnace has a single side return filter frame accessory like the one



FILTER FRAME

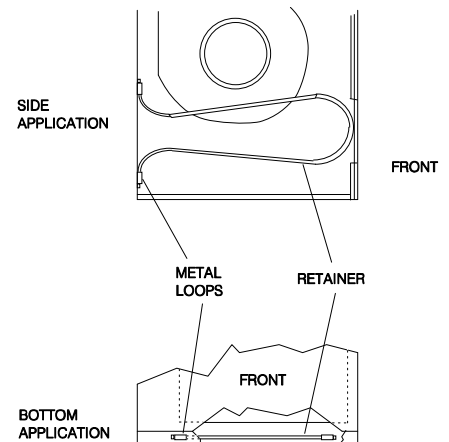
shown, slide the filters out of the accessory through the slot on its side.

To check filters located in the blower compartment, remove the blower compartment panel.

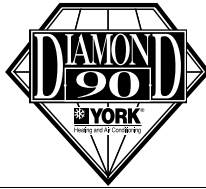
NOTE: The spring-loaded safety cutoff switch, mounted under the blower deck in the control box will automatically cut off the electrical power supply to the furnace when the blower panel is removed.

A filter mounted on the side of the furnace can be removed by pushing down on the looped end of the wire filter retainer until it clears the lip of the furnace casing.

The retainer may be swung toward the center of the furnace, exposing the filter for removal. Reverse the procedure to reinstall filters.



FILTER RETAINER



To remove bottom mounted filter(s) on all furnaces, push the looped end of the filter retainer to the side and then lift up to expose the filter for removal. Reverse the procedures to install filters.

HOW TO CLEAN YOUR FURNACE'S FILTER

High-velocity filters may be cleaned with a vacuum cleaner or washed with a garden hose. Be sure to shake off excess water before re-installing the filter.

MOTOR LUBRICATION

The motors in these furnaces are permanently lubricated, and require no periodic oiling.

FILTER SIZES

MODEL	SIDE	BOTTOM
P3URD08N03701	16 x 25	14 x 25
P3URD10N05501	16 x 25	16 x 25
P3URD12N07501	16 x 25	16 x 25
P3URD16N07501	16 x 25	20 x 25
P3URD14N09501	16 x 25	20 x 25
P3URD20N09501	(2) 16 x 25	20 x 25
P3URD20N11201	(2) 16 x 25	22 x 25
P3URD20N13001	(2) 16 x 25	22 x 25

NOTE: Filter must be high velocity type.

INSTALLATION AND MAINTENANCE INSTRUCTIONS

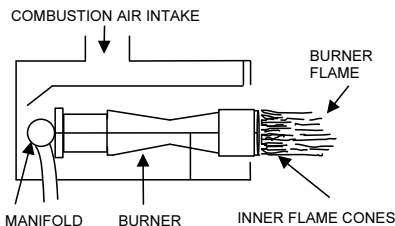
It is the owner's responsibility to ensure that an **annual inspection** of the entire heating portion of the unit is made by a qualified service agency.

The inspection should include heating element, vent/combustion air piping, to see that they are clear and free of obstructions and without holes or corrosion.

Make sure the horizontal run of the vent system slopes upward and all of the connections are secure.

Make sure the return air duct connections are physically sound and sealed to the furnace casing, and terminates outside the space containing the furnace. Make sure no sagging, cracks, gaps, etc. exist around the base of the furnace.

Check the main burner flames for proper adjustment per the illustration below.



Routine periodic maintenance checks should be done on your furnace at least every time you check the filters.



CAUTION: Before proceeding, be sure the area is well ventilated. Turn the thermostat OFF. If the blower is running, wait until it stops automatically. Turn OFF the gas and electrical power supplies to the furnace. Check all metal parts and surfaces to be sure they have cooled to room temperature before you begin.

Remove the front panels and the panel on the front of the burner box after turning the knob on the gas control to the OFF position. Check the following items:

Check for dust and lint on the sensor and main burners.

Check combustion air and vent pipe for blockage, corrosion or leakage.

Check all components to be sure they are in good condition.

If all components appear to be in good operating condition, turn the knob on the gas control to the ON position after replacing the front panel of the burner box. Replace the front panels. Restore gas and power supplies to the furnace, and set thermostat to the desired temperature.

If, during your inspection of your furnace, you find any of the following conditions:

- Excessive amounts of dust and lint on components.
- Damaged or deteriorated components or surfaces.
- Blockage in the combustion air or vent pipe passages.

Call a certified dealer/service man to check your furnace, or for more information if you have questions about the operation of your furnace.



Heating and Air Conditioning

Unitary Products Group
P.O. Box 1592, York, Pennsylvania USA 17405-1592
Subject to change without notice. Printed in U.S.A.
Copyright © by York International Corporation 1996. All Rights Reserved.



Proud Sponsor
of the 1996
U.S. Olympic Team
36USC380