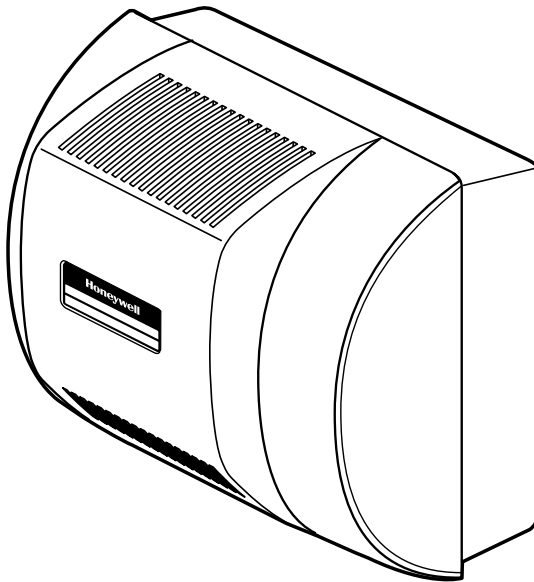


HE360A,B Powered Flow-Through Humidifier

OWNER'S GUIDE



WELCOME...

to the comfortable world of humidified air. With your Honeywell humidifier you will notice a decrease in dry skin, scratchy throats and irritated nasal passages that aggravate allergies and asthma. You've also taken the first step toward stopping the "zapping" you create when you walk on your carpet and touch the TV, computer, metal door knob or your pet. You can even put away your glue bottle because your furniture and woodwork will stop drying out. Congratulations! You have just made a great investment in your home comfort.

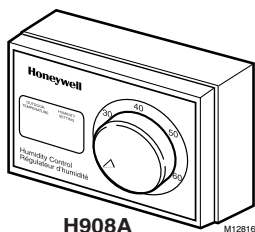
TABLE OF CONTENTS

Operating Your Humidifier	4
How Your Humidifier Works	4
Maintaining Your Humidifier	5
Checking Your Humidifier Operation	6
Troubleshooting Your Humidifier	6
Adding Perfect Climate® Controls for Comfort and Convenience	7
Warranty	8

OPERATING YOUR HUMIDIFIER

HE360A

Your Honeywell HE360A Humidifier is controlled by the H908 Convertible Humidity Control. The convertible humidity control



H908A

is installed either on an interior wall in the living area, or on the return air duct. Choose the humidity control setting using the combination relative humidity/outdoor temperature setting scale on your humidity control dial. Match the dial setting to the outdoor temperature for optimizing the humidity level while reducing the moisture condensation on your windows. The table below can also be used to adjust the humidity control to the recommended setting.

NOTE: As the outside temperature drops, the recommended humidity control setting is lowered to accommodate for effects of dew point. These settings should reduce the accumulation of moisture and ice on your windows and in other areas of your home.

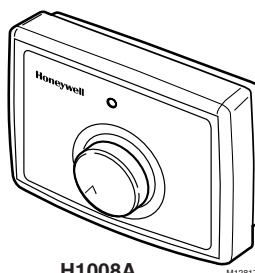
Some indoor activities such as cooking, showering and clothes drying can cause excessive levels of humidity and start the accumulation of moisture on your windows.

NOTE: If this condition persists for more than a few hours, set the humidity control to the lowest setting to turn off the humidifier. If the condition does not improve, ventilate your home to remove the moisture.

At Outside Temperature	Recommended Control Setting	At Outside Temperature	Recommended Control Setting
-20°F (-29°C)	15	+10°F (-12°C)	30
-10°F (-23°C)	20	+20°F (-7°C)	35
0°F (-18°C)	25	Above 20° (-7°C)	40

HE360B

Your Honeywell HE360B Humidifier is controlled by the Honeywell H1008 Automatic Humidity Control with HumidCalc+™. The automatic humidity control



H1008A

is mounted in the return air duct where it can be exposed to the air stream of the return air. The HumidCalc+™ software inside your automatic humidity control is designed to measure or infer the outdoor temperature and automatically adjust the humidity based on the frost factor. The frost factor is set by the homeowner and allows for variances in

furnace size, window type and insulation. The Automatic Humidity Control with HumidCalc+™ requires some initial adjustments when you first install your HE360B. The frost factor dial should initially be set to 5. Use the following table to adjust the frost factor dial one setting at a time, increasing the dial setting if you feel you need more humidity, or reducing the setting one increment at a time if you see moisture on the inside of your windows. Allow two days between adjustments to determine if further adjustment is necessary. Once you have tuned in the proper setting, you should never have to adjust it again. HumidCalc+™ takes over and makes any future adjustments caused by varying outdoor temperatures, thus reducing moisture build-up on windows while maintaining the optimal humidity level.

Humidity Level	Recommended Setting
Insufficient humidity	Increase the frost factor dial by one setting.
Condensation on windows	Decrease the frost factor dial by one setting.

HOW YOUR HUMIDIFIER WORKS

Your Honeywell humidifier uses the principle that vapor (evaporated water) is created when warm air blows over a water soaked area. As the vapor circulates, the relative humidity rises.

Your humidity control monitors the relative humidity and activates the humidifier accordingly. The humidifier has a water supply that dispenses water evenly over a humidifier pad. The warm dry air, from the furnace, passes over the humidifier pad and picks up the moist air to circulate it throughout your home.

Humidified air feels warmer and more comfortable so you may be able to lower your thermostat heating setpoint, which saves money on your heating fuel bills. The end result is that your humidifier gives you a comfortable environment that is also energy efficient.

MAINTAINING YOUR HUMIDIFIER

A regular maintenance program prolongs the life of your humidifier and provides a more comfortable home. Frequency of cleaning will depend on the condition of your water.

You can use either hard or soft water in your humidifier, but hard water mineral deposits are more difficult to clean than soft water deposits.

Use the following procedure to clean your Honeywell humidifier.

WARNING

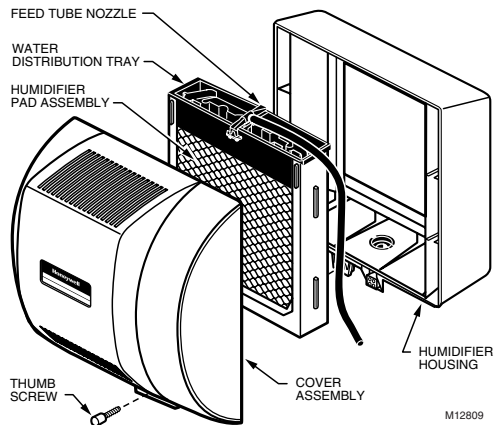
Serious Personal Injury Hazard. Can cause electrical shock and injury from moving parts.
Disconnect power and shut off water supply before removing cover.

IMPORTANT

Never oil any part of the humidifier.

Every 1 to 3 Months (Depending on Water Quality)

1. Disconnect the power and turn off the humidifier water supply.
2. Remove the humidifier cover by unplugging the connector and loosening the thumb screw. Grasp the cover near the bottom and pull toward you.
3. Remove the humidifier pad assembly from the tray by grasping the top of the tray and pulling it toward you.
4. Lift the tray off the pad.
5. Gently pinch the water nozzle catches inward until you can lift the water nozzle off the tray.
6. Carefully remove any mineral deposits from the tray and frame. Be sure the frame drain hole has nothing blocking it.



M12809

7. Disconnect the drain hose from the drain fitting on the bottom of the humidifier housing.
8. Clean the drain fitting, if necessary.
9. Bend the drain hose to loosen any mineral deposits.
10. Flush the drain hose with pressurized water (a running tap) to clean the hose.
11. Reattach the drain hose to the drain fitting.
12. Snap the water nozzle back on the tray.
13. Be sure the marked end of the pad is facing up. Place the tray on the new pad.
14. Place the humidifier pad assembly in the humidifier housing. Be sure the water feed tube is placed in the guide slots.
15. Replace the humidifier cover.
16. Verify the humidifier operation by following the steps in the Checking Your Humidifier for Proper Operation section.

End of Humidification Season

The humidifier needs to be cleaned and shut off at the end of the heating season. Use the Every 1 TO 3 Months section, steps 1 through 15, to shut down for the season.

IMPORTANT

Be sure the humidifier power is off.

Vacation

The humidifier water supply and your humidity control should be turned off. Turn on the humidifier water supply and reset your humidity control when you return.

CHECKING YOUR HUMIDIFIER FOR PROPER OPERATION

After winter startup or servicing, use the following steps to check the humidifier operation.

1. Turn on the humidifier power and water supply.
2. Turn the humidity control to its highest setting and set the thermostat to 10°F (6°C) above the room temperature.
3. Observe that water is flowing out of the drain hose.

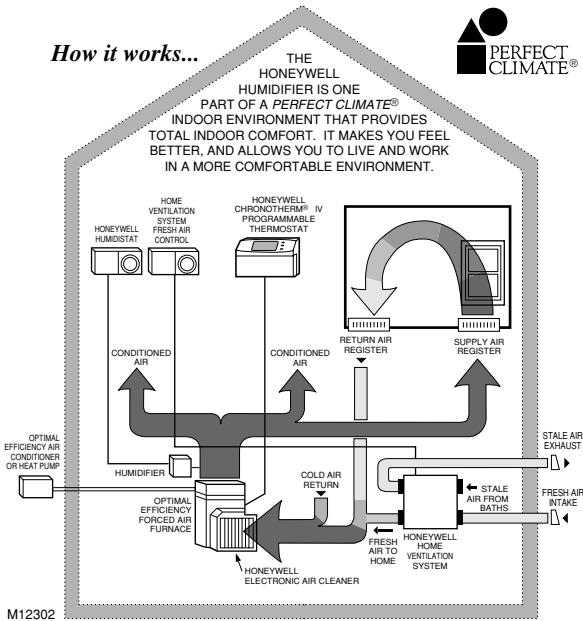
NOTE: The furnace blower must be running to activate the humidifier.

4. Reset the thermostat and humidity control to a comfortable setting for automatic operation.

TROUBLESHOOTING YOUR HUMIDIFIER

Problem	What to Look For	What to Do
Low humidity	Furnace blower not operating.	<ul style="list-style-type: none"> • Reset circuit breaker or check for blown fuse. • Check that the furnace power is on. • Check all external wiring connections. • Check the humidity control setting. • Call a professional heating contractor.
	Rapid air changes. Drafts (cold air is dry and is an added load to the humidifier).	<ul style="list-style-type: none"> • Keep doors and windows closed. • Close fireplace damper when not in use. • Keep exhaust fan running time to a minimum. • Seal around doors and windows.
High humidity	Condensation on walls.	<ul style="list-style-type: none"> • Turn off humidity control and water until condensation is completely evaporated.
	Heavy condensation on windows.	<ul style="list-style-type: none"> • Turn humidity control down low enough to eliminate condensation caused by moisture from bathing, mopping, cooking, etc. If moisture persists, more ventilation is needed.

ADDING Perfect Climate® CONTROLS FOR COMFORT AND CONVENIENCE



1. Honeywell Perfect Climate Comfort Center™ controls or Chronotherm® IV Programmable Thermostats.
2. Honeywell F35 Media Air Cleaner or F50 Electronic Air Cleaners.
3. Honeywell humidists.
4. Honeywell humidifiers.
5. Honeywell home ventilation systems.

Describing Perfection

The cleanest, healthiest, most convenient, energy efficient, and comfortable indoor environment possible today! Perfect climate is achieved when the following five core components of a home's climate system work together:

- optimal efficiency heating and cooling equipment,
- precise, programmable temperature control,
- effective indoor air quality control,
- controlled humidity,
- proper ventilation and air distribution.

Contact your local Perfect Climate® dealer for an evaluation of your home.

WARRANTY

Honeywell warrants this product, excluding humidifier pad, to be free from defects in the workmanship or materials, under normal use and service, for a period of one (1) year from the date of purchase by the consumer. If, at any time during the warranty period, the product is defective or malfunctions, Honeywell shall repair or replace it (at Honeywell's option) within a reasonable period of time.

If the product is defective,

- (i) return it, with a bill of sale or other dated proof of purchase, to the retailer from which you purchased it, or
- (ii) package it carefully, along with proof of purchase (including date of purchase) and a short description of the malfunction, and mail it, postage prepaid, to the following address:

Honeywell Return Goods
Dock 4 MN10-3860
1885 Douglas Drive
Golden Valley, MN 55422

This warranty does not cover removal or reinstallation costs. This warranty shall not apply if it is shown by Honeywell that the defect or malfunction was caused by damage which occurred while the product was in the possession of a consumer.

Honeywell's sole responsibility shall be to repair or replace the product within the terms stated above. HONEYWELL SHALL NOT BE LIABLE FOR ANY LOSS OR DAMAGE OF ANY KIND, INCLUDING ANY INCIDENTAL OR CONSEQUENTIAL DAMAGES RESULTING, DIRECTLY OR INDIRECTLY, FROM ANY BREACH OF ANY WARRANTY, EXPRESS OR IMPLIED, OR ANY OTHER FAILURE OF THIS PRODUCT. Some states do not allow the exclusion or limitation of incidental or consequential damages, so this limitation may not apply to you.

THIS WARRANTY IS THE ONLY EXPRESS WARRANTY HONEYWELL MAKES ON THIS PRODUCT. THE DURATION OF ANY IMPLIED WARRANTIES, INCLUDING THE WARRANTIES OF MERCHANTABILITY AND FITNESS FOR A PARTICULAR PURPOSE, IS HEREBY LIMITED TO THE ONE YEAR DURATION OF THIS WARRANTY. Some states do not allow limitations on how long an implied warranty lasts, so the above limitation may not apply to you.

This warranty gives you specific legal rights, and you may have other rights which vary from state to state.

If you have any questions concerning this warranty, please write to Home and Building Control Customer Relations, Honeywell, 1885 Douglas Drive, Minneapolis, MN 55422. In Canada, write Retail Products ON15-02H, Honeywell Limited/Honeywell Limitée, 35 Dynamic Drive, Scarborough, Ontario M1V 4Z9.

Honeywell

Home and Building Control

Honeywell Inc.
Honeywell Plaza
P.O. Box 524
Minneapolis, MN 55408-0524

Home and Building Control

Honeywell Limited-Honeywell Limitée
155 Gordon Baker Road
North York, Ontario
M2H 3N7

