

# HE120A,B By-Pass Drum Humidifier

## OWNER'S MANUAL



## **WELCOME...**

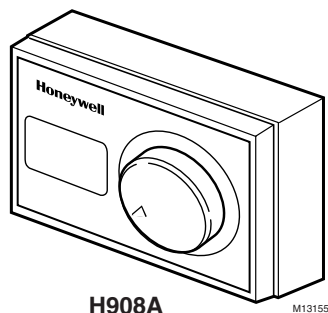
to the comfortable world of humidified air. With your Honeywell humidifier you will notice a decrease in dry skin, scratchy throats and irritated nasal passages that aggravate allergies and asthma. You've also taken the first step to stopping the "zapping" created by walking on your carpet and touching your TV, computer, metal door knob or your pet. You can even put away your glue bottle because your furniture and woodwork will stop drying out. Congratulations! You have just made a great investment in your home comfort.

# TABLE OF CONTENTS

Operating Your Humidifier .....	4
How Your Humidifier Works .....	5
Maintaining Your Humidifier .....	5
Checking Your Humidifier Operation .....	7
Troubleshooting Your Humidifier .....	8
Adding Perfect Climate® Controls for Comfort and Convenience .....	9
Warranty .....	10

## OPERATING YOUR HUMIDIFIER

Your HE120A Honeywell humidifier is controlled by the H908A Convertible Humidity Control that is installed either on the return air duct or on an interior wall in your living area. Choose the humidity control setting using the combination relative humidity/outdoor temperature setting scale on your humidity control. Match the dial setting to the outdoor temperature for optimizing the humidity level while reducing the moisture condensation on your windows. The table below can also be used to adjust the humidity control to the recommended setting.



H908A

M12155

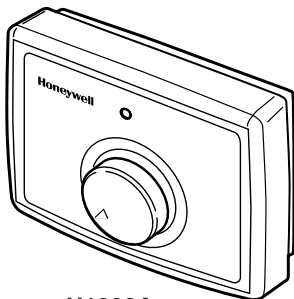
At Outside Temperature	Recommended Setting	At Outside Temperature	Recommended Setting
-20°F (-29°C)	15	+10°F (-12°C)	30
-10°F (-23°C)	20	+20°F (-7°C)	35
0°F (-18°C)	25	Above 20° (-7°C)	40

**NOTE:** As the outside temperature drops, the recommended humidity control setting is lowered to accommodate for the effects of dewpoint. These settings should reduce the accumulation of moisture and ice on your windows and in other areas of your home.

Some indoor activities such as cooking, showering and clothes drying can cause excessive levels of humidity and start the accumulation of moisture on your windows.

**NOTE:** If this condition persists for more than a few hours, set the humidity control to the lowest setting to turn off the humidifier. If the condition does not improve, ventilate your home to remove the moisture.

Your Honeywell HE120B Humidifier is controlled by the Honeywell H1008 Automatic Humidity Control with HumidiCalc+™ Software. The automatic humidity control is mounted in the return air duct where it can be exposed to the air stream of the return air. The HumidiCalc+™ Software inside your auto-



H1008A

M12817

matic humidity control is designed to automatically adjust the humidity level based on indoor temperature and humidity, inferred or measured outdoor temperature, and the setting of the frost factor dial. The frost factor allows for variations in furnace size, window insulation and average daily climate temperature.

The Automatic Humidity Control with HumidiCalc+™ Software requires an initial adjustment period. Set the frost factor dial on 5 and use the following table to adjust the frost factor—only one setting at a time—increasing the dial setting if you feel you need more humidity, or reducing the setting if you see moisture on the inside of your windows. For more precise humidity adjustment, set the frost factor between dial settings. Allow two days for the humidity level to subside before making further adjustments. Once you have tuned in the proper setting, you should never have to adjust it again. HumidiCalc+™ Software takes over and makes any future adjustments caused by varying outdoor temperatures, thus reducing moisture build-up on windows while maintaining the optimal humidity level.

Humidity Level	Recommended Adjustment
Insufficient humidity	Increase the frost factor dial by one setting.
Condensation on windows	Decrease the frost factor dial by one setting.

## HOW YOUR HUMIDIFIER WORKS

Your Honeywell humidifier uses the principle that vapor (evaporated water) is created when warm air blows over a water soaked area. As the vapor circulates, the relative humidity rises.

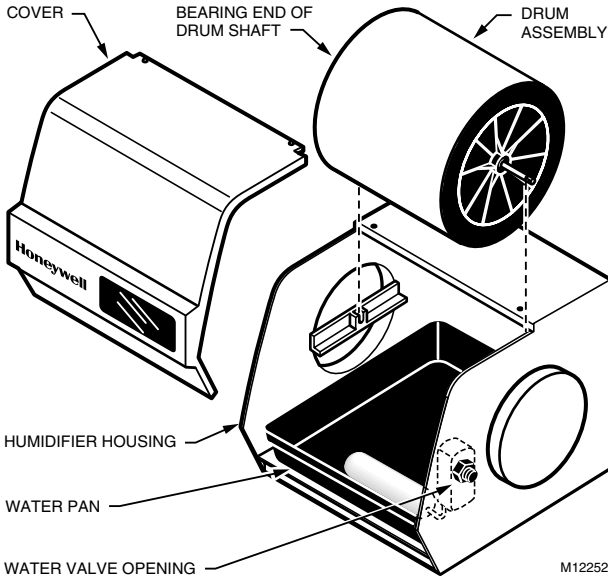
Your humidity control monitors the relative humidity and activates the humidifier accordingly. The humidifier has a water supply that discharges water evenly over a humidifier pad. The warm dry air from the furnace passes over the humidifier pad and picks up the moist air to circulate it through your home.

Humidified air feels warmer and more comfortable so you may be able to lower your thermostat heating setpoint and save money on your heating fuel bills. The end result is that your humidifier gives you a comfortable environment that is also energy efficient.

## MAINTAINING YOUR HUMIDIFIER

A regular maintenance program prolongs the life of your humidifier and provides a more comfortable home. The frequency of cleaning will depend on the condition of your water.

You can use either hard or soft water in your humidifier, but hard water mineral deposits are more difficult to clean than soft water deposits.



## Every 1 to 3 Months (Depending on Water Quality)

### CAUTION

**Voltage Hazard.**

**Can cause electrical shock and equipment damage.**

Disconnect power and shut off water supply before installing or servicing.

**IMPORTANT**

*Never oil any part of the humidifier.*

Use the following steps to clean your Honeywell humidifier:

1. Disconnect the power and turn off the humidifier water supply.
2. Remove the humidifier cover by lifting the bottom of the cover upward.
3. Lift up the drum shaft from the bearing end and slide it out of the motor coupling to remove the drum assembly.

NOTE: You will encounter some resistance when removing the drum shaft until you hear an audible click.

4. Remove the drum from the assembly.

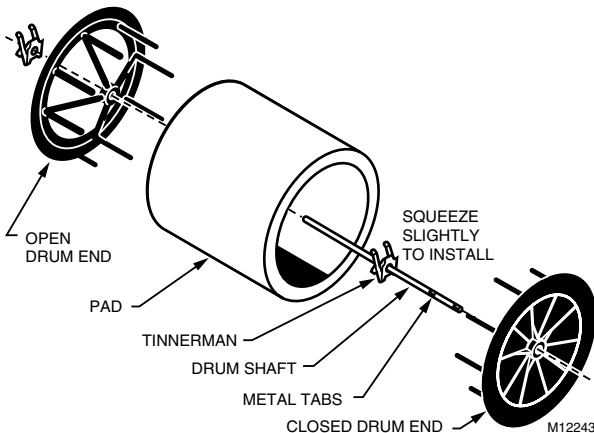
5. Grasp the rubber valve seat between your thumb and forefinger and lift it upward to remove the valve seat from the valve. The seat is located inside the humidifier housing at the water valve opening.
6. Raise up the float and remove the water pan.
7. Refer to the drawing to disassemble the drum.
8. Clean all humidifier parts in a 50% solution of vinegar (or a humidifier cleaner) and water. Soak overnight to remove stubborn deposits.

NOTE: Replace humidifier pad yearly. The actual frequency depends on the quality of the water used.

9. After the humidifier components are clean, reassemble the humidifier by reversing the order of steps 1 through 7.

NOTE: Be sure that the drum shaft is completely seated, listen for the click.

10. Verify the humidifier operation by following the steps in the Checking the Humidifier for Proper Operation section.



## End of Humidification Season

Clean the humidifier and shut it off at the end of the heating season. Use the Every 1 to 3 Months section, steps 1 through 9, to shut down for the season.

### **IMPORTANT**

*Be sure the humidifier power is off and the humidifier water pan is empty.*

## Vacation

When leaving on vacation, turn off the humidifier water supply and your humidity control. Turn on the humidifier water supply and reset your humidity control when you return.

## CHECKING YOUR HUMIDIFIER OPERATION

After winter startup or maintenance, use the following steps to check the humidifier operation:

1. Turn on the humidifier power and water supply.
2. Check the water level in the humidifier water pan; water level setting should be 1-3/8 in. Turn the valve adjustment screw, located on the water valve inside the humidifier, clockwise to lower the water level and counter clockwise to raise it.

**NOTE:** The H1008A Automatic Humidity control stays in the test mode for thirty minutes. After thirty minutes, the control automatically resets to the maximum frost factor setting. If system checkout has not been completed in thirty minutes, the test mode can be extended by turning the dial back to one of the dial settings and then returning it to the test mode.

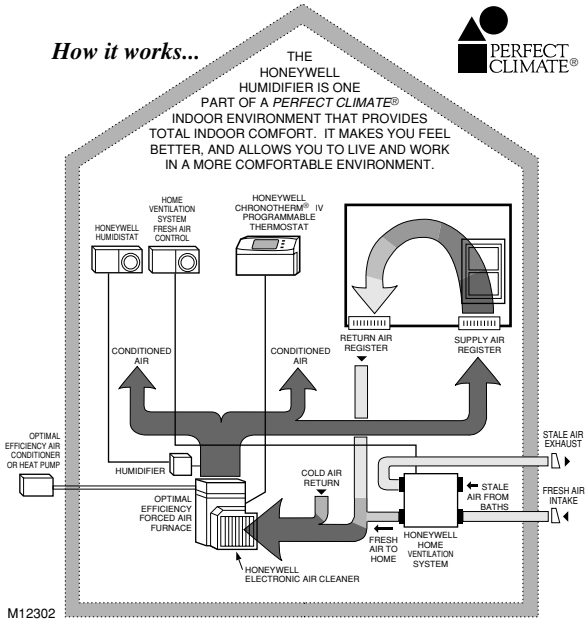
3. Turn the H908A Convertible Humidity Control to the highest setting, or the H1008A Automatic Humidity Control to the Test position, and set the thermostat to 10°F (6°C) above the room temperature.
4. Check that the humidifier pad is rotating.
5. Reset the thermostat and H908A Convertible Humidity Control to a comfortable setting, or the H1008A Automatic Humidity Control to the desired frost factor setting, for automatic operation.

## TROUBLESHOOTING YOUR HUMIDIFIER

Problem	What To Look For	What To Do
Low humidity	Furnace blower not operating.	<ul style="list-style-type: none"> <li>• Reset circuit breaker or check for blown fuse.</li> <li>• Check that the furnace power is on.</li> <li>• Check all external wiring connections.</li> <li>• Check the humidity control setting.</li> <li>• Call a professional heating contractor.</li> </ul>
	Rapid air changes. Drafts (cold air is dry and is an added load to the humidifier).	<ul style="list-style-type: none"> <li>• Keep doors and windows closed.</li> <li>• Close fireplace damper when not in use.</li> <li>• Keep exhaust fan running time to a minimum.</li> <li>• Seal around doors and windows.</li> </ul>
High humidity	Condensation on walls.	<ul style="list-style-type: none"> <li>• Turn off the humidity control and water until condensation is completely evaporated.</li> </ul>
	Heavy condensation on windows.	<ul style="list-style-type: none"> <li>• Turn humidity control down low enough to eliminate condensation caused by moisture from bathing, mopping, cooking, etc. If moisture persists, more ventilation is needed.</li> </ul>

# Adding Perfect Climate® CONTROLS FOR COMFORT AND CONVENIENCE

*How it works...*



1. Honeywell Perfect Climate® Comfort Center™ controls or Chronotherm® IV Programmable Thermostats.
2. Honeywell F35 media air cleaner or F50 electronic air cleaners.
3. Honeywell humidity controls.
4. Honeywell humidifiers.
5. Honeywell home ventilation systems.

## Describing Perfection

The most convenient, most energy efficient, cleanest, healthiest and most comfortable indoor environment possible today! Perfect climate is achieved when the five core components of a home climate system work together:

- Optimal efficiency heating and cooling equipment,
- Precise, programmable temperature control,
- Effective indoor air quality control,
- Controlled humidity,
- Proper ventilation and air distribution.

Contact your local Perfect Climate® dealer for an evaluation of your home.

## WARRANTY

Honeywell warrants this product, excluding humidifier pad, to be free from defects in the workmanship or materials, under normal use and service, for a period of one (1) year from the date of purchase by the consumer. If, at any time during the warranty period, the product is defective or malfunctions, Honeywell shall repair or replace it (at Honeywell's option) within a reasonable period of time.

If the product is defective,

- (i) return it, with a bill of sale or other dated proof of purchase, to the retailer from which you purchased it, or
- (ii) package it carefully, along with proof of purchase (including date of purchase) and a short description of the malfunction, and mail it, postage prepaid, to the following address:  
Honeywell Return Goods  
Dock 4 MN10-3860  
1885 Douglas Drive  
Golden Valley, MN 55422

This warranty does not cover removal or reinstallation costs. This warranty shall not apply if it is shown by Honeywell that the defect or malfunction was caused by damage which occurred while the product was in the possession of a consumer.

Honeywell's sole responsibility shall be to repair or replace the product within the terms stated above. HONEYWELL SHALL NOT BE LIABLE FOR ANY LOSS OR DAMAGE OF ANY KIND, INCLUDING ANY INCIDENTAL OR CONSEQUENTIAL DAMAGES RESULTING, DIRECTLY OR INDIRECTLY, FROM ANY BREACH OF ANY WARRANTY, EXPRESS OR IMPLIED, OR ANY OTHER FAILURE OF THIS PRODUCT. Some states do not allow the exclusion or limitation of incidental or consequential damages, so this limitation may not apply to you.

THIS WARRANTY IS THE ONLY EXPRESS WARRANTY HONEYWELL MAKES ON THIS PRODUCT. THE DURATION OF ANY IMPLIED WARRANTIES, INCLUDING THE WARRANTIES OF MERCHANTABILITY AND FITNESS FOR A PARTICULAR PURPOSE, IS HEREBY LIMITED TO THE ONE YEAR DURATION OF THIS WARRANTY. Some states do not allow limitations on how long an implied warranty lasts, so the above limitation may not apply to you.

This warranty gives you specific legal rights, and you may have other rights which vary from state to state.

If you have any questions concerning this warranty, please write to Home and Building Control Customer Relations, Honeywell, 1985 Douglas Drive North, Minneapolis, MN 55422. In Canada, write Retail Products ON15-02H, Honeywell Limited/Honeywell Limitée, 35 Dynamic Drive, Scarborough, Ontario M1V 4Z9.



**Honeywell**

---

**Home and Building Control**

Honeywell Inc.  
Honeywell Plaza  
P.O. Box 524  
Minneapolis, MN 55408-0524

**Home and Building Control**

Honeywell Limited-Honeywell Limitée  
155 Gordon Baker Road  
North York, Ontario  
M2H 3N7

