



HEATING & COOLING

HEATING & COOLING SUBMITTAL

TSTATCCPAC01-B

TSTATCCPHC01-B

TSTATCCP2S01-B

PROGRAMMABLE THERMOSTATS

The Carrier electronic programmable thermostat product line includes air conditioner, heat pump, and 2-speed models. These units feature non-mercury based electronic controls built into a subtle, slim plastic enclosure. They require no battery backup.

Clean Design—Features soft, responsive buttons and an easy-to-read backlit Liquid Crystal Display (LCD).

Accurate, Reliable Temperature Control—LCD shows current room temperature at all times, and desired temperature prompts upon demand.

Auto Changeover—Switches system operation automatically when both heating and cooling are needed on the same day. It can be disabled if not necessary in certain areas of the country.

Outdoor Temperature Display—Allows a check of the temperature outside before leaving home. Optional on all models.

Clean-Filter Indicator—Tells when it is time to clean the system's filter.

Battery Free—Non-volatile RAM chip requires no battery backup. Program is retained in memory so reprogramming is not required after power loss.

Equipment on Indicator—When the cooling system is operating, the word COOL preceded by a small triangle is displayed below the cooling set point. When the heating equipment is operating, the word HEAT preceded by a small triangle is displayed below the heating set point. If the equipment turn on is being delayed, the triangle and the word will flash.

Comfort and Energy Savings—Seven day programming, with 4 temperature changes provided per day, means comfort when the family is at home and savings through reduced energy usage when the family is away or asleep.

Easy to Use—Simple instructions are located inside the thermostat's door.

Duplicate Programming—Copy the comfort schedule from one day to the next using the copy previous day function.

Override Capability—Hold function allows the regular schedule to be by-passed with a temporary setting.

Smart Recovery—Provides consistent heating right on time as it gradually adjusts indoor temperatures before a scheduled change.

Room Temperature Offset—Room temperature may be offset by up to 5°F in either direction to accommodate end user's needs.

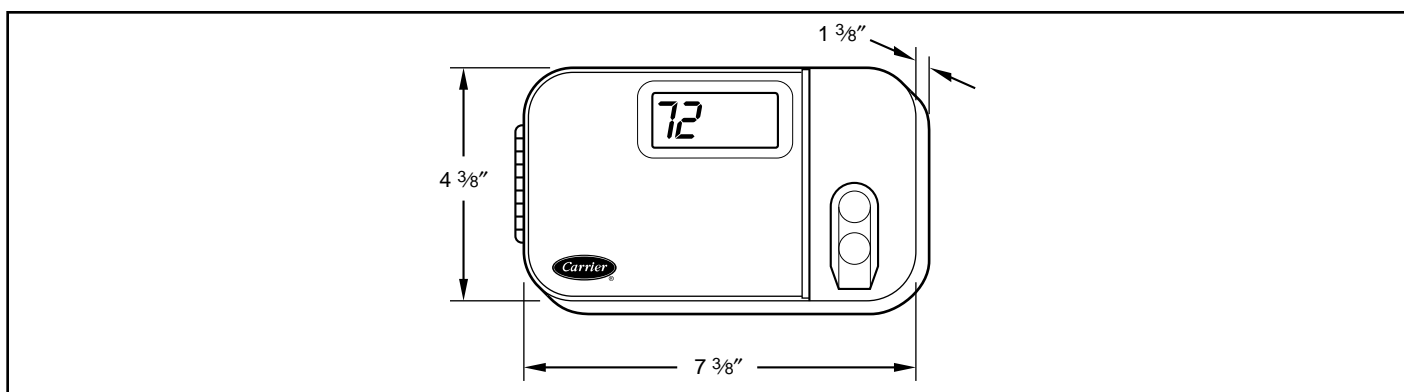
Auxiliary Heat Lockout Setting—This option prevents auxiliary heat from coming on above a selected outdoor air temperature when configured as a heat pump thermostat using the outdoor air sensor.

Timeguard—Equipment protection.

Perfect Complement—Completes your Carrier comfort system needs.

Limited Warranty—Standard 1-year warranty available on all parts.

PHYSICAL DIMENSION PRINT



Physical Characteristics

Dimensions: See drawing
 Appearance: Plastic, eggshell color, textured

Electrical Characteristics

Input Volts/Amps: 24vac, 5 VA

Environmental Requirements

Operating Temperature/Relative Humidity:
 32°F (0°C) to 104°F (40°C),
 95% rh non-condensing
 Storage Temperature/Relative Humidity:
 -40°F (-40°C) to 134°F (56°C),
 95% rh non-condensing

Wiring Requirements

Power: 24vac nominal, 18- to 30-vac, 50/60 Hz
 Wiring: Standard thermostat wire 18 to 22 gage.

Program Specifications

Temperature set point range: 40°F (4°C) to 90°F (32°C)
 Separate heat and cool set points
 Auto changeover—can be disabled
 Clean filter reminder: installer adjustable
 Permanent memory
 Programming days: 7 day
 Programming periods: 4—Wake, Day, Eve, Sleep
 Hold function
 Copy previous day function
 Equipment On indicator

SUBMITTAL DATA

Date _____
 Job Name _____
 Architect _____
 Engineer _____
 Contractor _____
 Unit Designation _____

UNIT DATA

Location _____
 Unit Model No. _____
 Unit Volts-Phase-Hertz _____
 Operating Voltage Range _____
 P.O.# _____

ACCESSORIES

- _____
- _____
- _____
- _____
- _____

