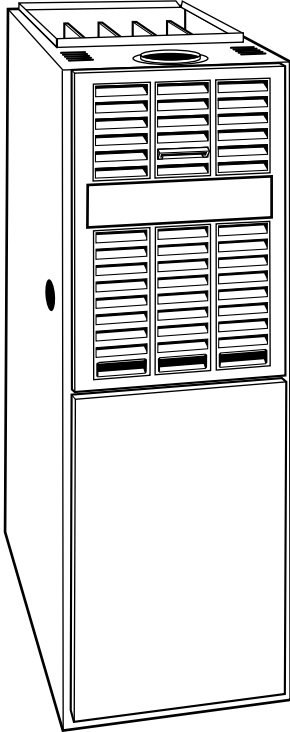


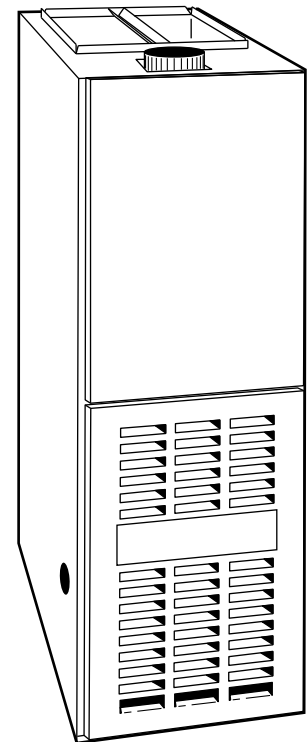
GAS FURNACE

User's Information Manual for the operation and maintenance of model GA1A or GA2A Gas Furnace



MODEL GA1A
UPFLOW FURNACE

NOTE: This manual must be left with the equipment user.



MODEL GA2A
DOWNFLOW FURNACE

WARNING: If the information in this manual is not followed exactly, a fire or explosion may result causing property damage, personal injury or loss of life.

- Do not store or use gasoline or other flammable vapors and liquids in the vicinity of this or any other appliance.
- **WHAT TO DO IF YOU SMELL GAS:**
 - Do not try to light any appliance.
 - Do not touch any electrical switch; do not use any phone in your building.
 - Immediately call your gas supplier from a neighbor's phone. Follow the gas supplier's instructions.
 - If you cannot reach your gas supplier, call the fire department.
- Installation and service must be performed by a qualified installer, service agency or the gas supplier.

WELCOME TO A NEW GENERATION OF COMFORT

Congratulations! Your new, 78% efficient gas furnace is a sound investment which will reward you and your family with years of warm memories winter after winter.

Not only is your new furnace energy efficient, it is also extremely reliable. Spend just a few minutes with this booklet to learn about the operation of your new furnace—and the small amount of maintenance it takes to keep it operating at peak efficiency. Years went into the development of your new furnace. Take a little time now to assure its most efficient operation for years to come.

FURNACE IDENTIFICATION

For your convenience, record the product and serial numbers of your new furnace on the form below. Should you ever require service, you will have ready access to the information needed by the service representative.

Product No. _____

Serial No. _____

Date Installed _____

Dealer Name _____

Address _____

City _____

State _____ Zip _____

Telephone _____

IMPORTANT FACTS

Your furnace must have adequate airflow for efficient combustion and safe ventilation. Do not enclose it in an airtight room or “seal” it behind solid doors. To minimize the possibility of serious personal injury, fire, damage to your furnace, or improper operation; **carefully follow these safety rules:**

- Keep the area around your furnace free of combustible materials, gasoline, and other flammable liquids and vapors.
- Do not cover the furnace, store trash or debris near it, or in any way block the flow of fresh air to the unit.
- Combustion air must be clean and uncontaminated with chlorine or fluorine. These compounds are present in many products around the home, such as: water softener salts, laundry bleaches, detergents, adhesives, paints, varnishes, paint strippers, waxes, and plastics.

Make sure the combustion air for your furnace does not contain any of these compounds. During remodeling be sure the combustion air is fresh and uncontaminated. If these compounds are burned in your furnace, the heat exchangers and metal vent system may deteriorate.

- A furnace installed in the attic or other insulated space must be kept free and clear of the insulating material. Examine the furnace area when installing the furnace or adding more insulation. Some materials may be combustible.

NOTE: Do not use this furnace if any part has been under water. Immediately call a qualified service technician to inspect the furnace and to replace any part of the control system and any gas control which has been under water.

NOTE: The qualified installer or agency must use only factory-authorized replacement parts, kits, and accessories when modifying or repairing this product.

This furnace contains SAFETY DEVICES which must be closed. If the furnace is left unattended for an extended period of time, have it checked periodically for proper operation. This precaution will prevent problems associated with NO HEAT, such as frozen water pipes, etc. See “Before You Request a Service Call” section in this manual.

SAFETY CONSIDERATIONS

Installing and servicing heating equipment can be hazardous due to gas and electrical components. Only trained and qualified personnel should install, repair, or service heating equipment.

Untrained personnel can perform basic maintenance functions such as cleaning and replacing air filters. All other operations must be performed by trained service personnel. Observe safety precautions in this manual, on tags, and labels attached to the furnace and other safety precautions that may apply.

Recognize safety information: This is the safety-alert symbol \triangle . When you see this symbol on the furnace and in instructions or manuals, be alert to the potential for personal injury.

Understand the signal word—DANGER, WARNING, or CAUTION. These words are used with the safety-alert symbol. DANGER identifies the most serious hazards which **will** result in severe personal injury or death. WARNING signifies hazards that **could** result in personal injury or death. CAUTION is used to identify unsafe practices, which **would** result in minor personal injury or product and property damage.

STARTING YOUR FURNACE

Your furnace is equipped with a continuously burning pilot flame.

- This manual ignition system requires the pilot to be match lit by hand.
- Read and follow the operating instructions on the furnace, especially the item that reads as follows:

Wait 5 minutes to clear out any gas. Then smell for gas, including near the floor. If you smell gas, **STOP!** Follow “B” in the safety information above on this label. If you don’t smell gas, go to the next step.

- If a suspected malfunction occurs with your gas control system, such as the pilot not lighting when it should, refer to the shutdown procedures on the furnace or in the next section to turn off your system, then call your service dealer as soon as possible.

\triangle **WARNING: Should overheating occur, or the gas valve fail to shut off the gas supply, turn off the external manual gas valve to the furnace BEFORE turning off the electrical supply. A failure to follow this warning could result in a fire or explosion, and personal injury or death.**

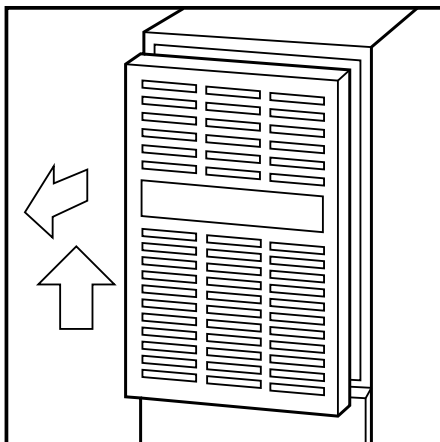
- **CHECK AIR FILTER:** Before attempting to start your furnace, be sure the furnace filter is clean and in place. (See the maintenance section of this manual.) Then proceed as follows:

STEPS FOR STARTING YOUR FURNACE

Refer to the lighting instruction label affixed to the furnace blower access door.

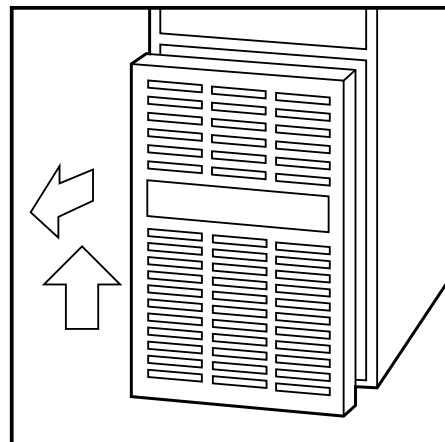
1. Set your room thermostat to the lowest temperature setting.
2. Close the external manual gas valve.
3. Turn OFF the electrical supply to your furnace.
4. Remove the furnace access door(s).
 - a. Upflow—remove control door. (See Fig. 1.)
 - b. Downflow—remove blower door after removing 2 screws first, then remove the control door. (See Fig. 2.) Reinstall the blower door.

NOTE: The blower door must be installed to permit furnace operation.



A91400

1

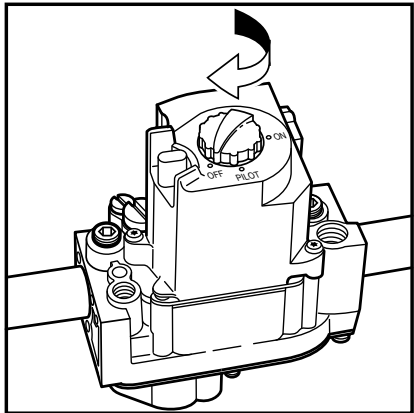


A91401

2

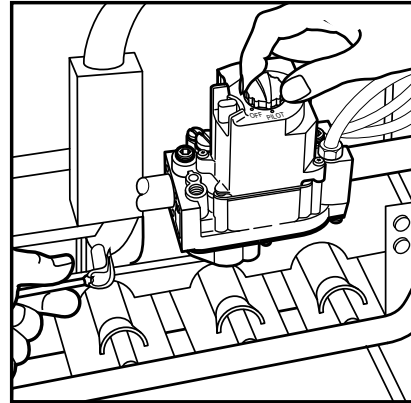
5. Turn the control knob on the internal gas valve clockwise to the indicated OFF position. Wait 5 minutes for any expelled gas to dissipate. (See Fig. 3.)
6. After waiting 5 minutes, open the external manual gas valve.
7. Turn the control knob on the internal gas valve to the PILOT position.
8. Place a lighted match or other suitable source of flame near the top of the pilot. (See Fig. 4.)
9. Depress the button or knob and hold it down. The pilot will light. Remove and extinguish the match while continuing to hold the button or knob down for at least 60 sec, then release. The pilot will remain lit.

NOTE: If pilot does not stay lit, repeat steps 5 through 9; however, hold the button down for a longer period of time (at least 90 sec). If the pilot flame is extinguished after this second attempt, the thermocouple should be checked for a possible malfunction. Call your dealer for service.



A91402

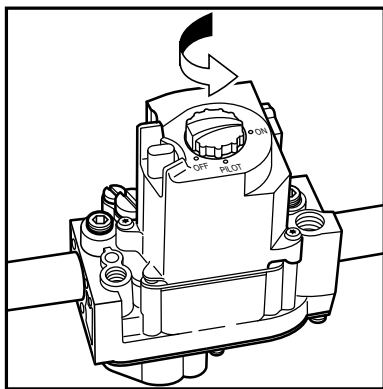
3



A91403

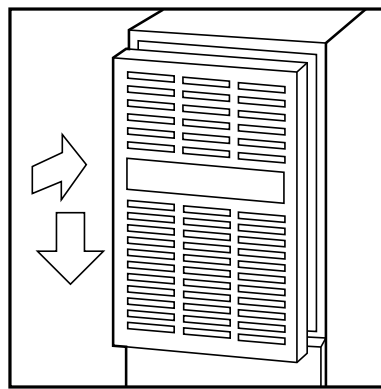
4

10. After the pilot flame is established, turn the control knob on the gas valve to the ON position. (See Fig. 5.)
11. Replace the access door. (See Fig. 6 or 7.) For downflow furnaces, remove the blower access door, install the control access door, then reinstall the blower access door and secure with 2 screws.



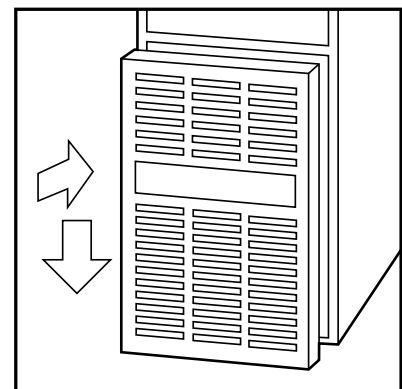
A91404

5



A91405

6



A91406

7

12. Turn on the electrical supply to the furnace.
13. Adjust the room thermostat to a setting slightly above room temperature. This will automatically signal the furnace to start.
14. Furnace main burners should light shortly after you set the thermostat. After you verify that the burners are lit, you may adjust the room thermostat to your own personal comfort setting. If the burners fail to light, shut down your furnace and call your dealer for service. Refer to the lighting instruction label affixed to your furnace blower access door or page 5 for shutdown procedures.

NOTE: To conserve energy when the heating season has ended, you should shut down your manually ignited pilot. Follow the procedures in the "Shutting Down Your Furnace" section of this manual.

SUGGESTION: Setting the thermostat back a few degrees—and compensating for the difference with warmer clothing—can make a big difference in your fuel consumption on extremely cold days. The few degrees at the top of your thermostat “comfort level” are the most costly degrees to obtain.

When the room temperature drops below the temperature selected on the thermostat, the furnace will be switched on automatically. When the room temperature reaches the degree selected on the thermostat, the furnace will be automatically switched off.

Some thermostats have a “fan” switch with 2 selections: AUTO or ON. When set on AUTO, the furnace blower cycles on and off, controlled by the thermostat. In the ON position, the furnace blower runs continuously except for a 45-sec delay at the “call for heat.” This keeps the temperature level in your home more evenly balanced. It also continuously filters the indoor air.

SHUTTING DOWN YOUR FURNACE

Once the heating season has ended, or if you ever suspect a malfunction, you’ll want to turn your furnace off. The following procedures and the procedures on the lighting/operating instructions label on your furnace must be followed:

1. Set your room thermostat to the lowest temperature setting.
2. Turn OFF the electrical supply to your furnace.
3. Remove the access door(s) from your furnace. Lift up and out at the bottom. (See Fig. 1 for upflow and Fig. 2 for downflow furnaces.)

NOTE: The blower access door must be installed to permit furnace operation.

4. To shut off the burners but keep the pilot light burning, turn the control knob of the internal gas valve to the PILOT position.
5. To shut off the complete gas control system (pilot and burners), turn (and depress if required) the control knob on the internal gas valve clockwise to the indicated OFF position.
6. Close the external manual gas valve.
7. Replace the access door. (See Fig. 6 or 7.) On downflow furnaces, remove the blower access door, install the control access door, then reinstall the blower access door and secure with 2 screws.
8. If the furnace is being shut down because a malfunction is suspected, call your service dealer as soon as possible.

NOTE: To conserve energy when the heating season has ended, you should shut down your manually ignited pilot.

If the furnace blower is to be used during the cooling season, turn the control knob on the internal gas valve to OFF. Leave the electrical supply to the furnace turned ON.

PERFORMING ROUTINE MAINTENANCE

With the proper maintenance and care, your furnace will operate economically and dependably. Basic maintenance, which can easily be accomplished by following the directions, is found on this and the following pages. However, before beginning maintenance, follow these safety precautions:

⚠ WARNING: Turn off electrical power supply to your furnace before removing the access doors to service or perform maintenance. A failure to follow this warning could result in personal injury or death.

⚠ CAUTION: Although special care has been taken to minimize sharp edges, be extremely careful when handling parts or reaching into the furnace.

FILTERING OUT TROUBLE

A dirty filter will cause excessive stress on the furnace blower motor and can cause it to overheat and automatically shut down. The furnace filter should be checked every 3 or 4 weeks and cleaned if necessary.

If your furnace filter needs replacing, be sure to use the same size and type of filter that was originally supplied. Use the furnace filter table (see page 7) and compare your furnace size with the proper filter size.

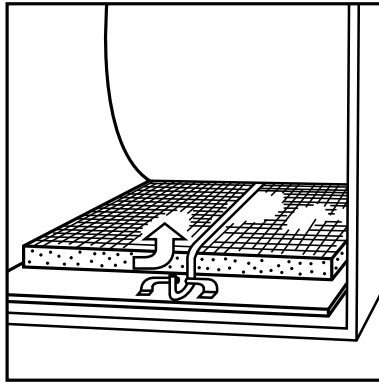
⚠ CAUTION: Never operate your furnace without a filter in place. Doing so may damage the furnace blower motor. An accumulation of dust and lint on internal parts of your furnace can cause a loss of efficiency.

The air filter for upflow furnaces is normally located in the blower compartment. Filters for the downflow furnaces are normally located in the return-air plenum above the blower. If the filters have been installed in another location, contact your dealer for instructions. To inspect, clean and/or replace the air filter(s), follow these steps:

UPFLOW FURNACES ONLY:

1. Turn OFF the electrical supply to the furnace.
2. Remove control and blower access doors.

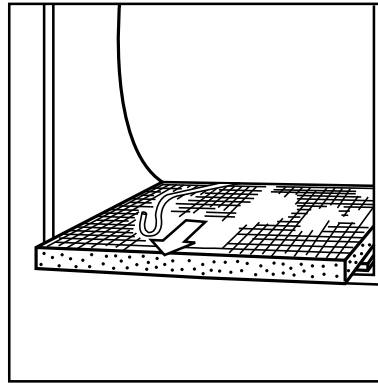
3. Push filter retainer toward the bracket opening to release the filter. (See Fig. 8.)
4. Gently remove the filter and carefully turn the dirty side up (if dirty) to avoid “spilling” dirt from the filter. (See Fig. 9.)



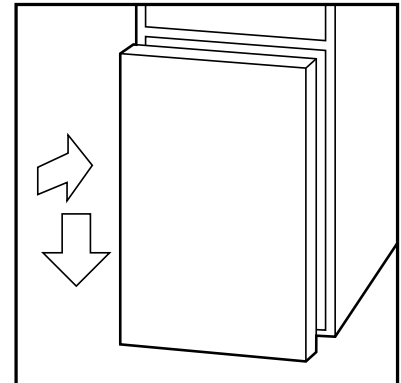
A91407

8

A91408



9



A91409

10

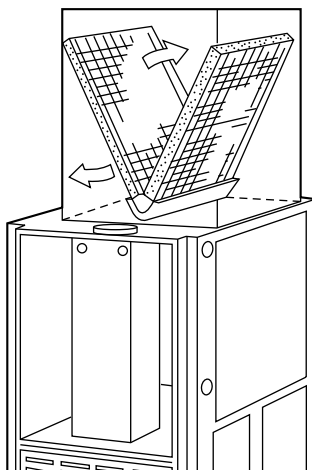
5. Inspect the filter. If torn, replace the filter.
6. Wash the filter (if dirty) in a sink, bathtub, or outside with a garden hose. Always use cold tap water. A mild liquid detergent may be used if necessary. Spray water through the filter in the opposite direction of airflow (through the cross-mesh binding side). Allow filter to dry.
7. Reinstall the clean filter with its cross-mesh binding side facing the furnace blower.
8. Put filter retainer back in the bracket opening and lock it in place.
9. Replace the blower and control access doors and turn ON electrical power to your furnace. (See Fig. 6, 7, and 10.)

NOTE: If side return ducts are used, 2 filters may be required in some models. The procedure listed above may be used to remove side filters.

DOWNFLOW FURNACES ONLY:

Two filters are located in the return-air plenum above the blower (above line-of-sight) resting in the V-shaped channel on top of the furnace. (See Fig. 11.)

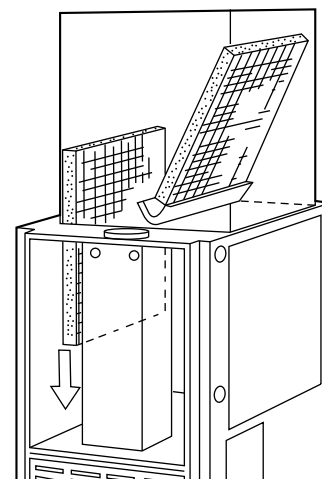
1. Turn OFF electrical supply to the furnace.
2. Remove blower access door after removing 2 screws.
3. Remove left side filter by tipping the filter top toward the center—raise it from the V-shaped channel in which it rests. (See Fig. 11 and 12.)
4. Lower filter down along side of the blower and remove from the furnace.
5. To remove the second filter, lift from V-shaped channel and remove the same way as left side filter.
6. Inspect the filters. If torn, replace the filter.
7. Wash the filters (if dirty) in a sink, bathtub, or outside with a garden hose. Always use cold tap water. A mild liquid detergent may be used if necessary. Spray water through the filter in the opposite direction of airflow through the cross-mesh binding side. Allow filter to dry.
8. Reinstall clean filters with the cross-mesh binding side facing the furnace blower.
9. Replace blower door (secure with 2 screws) and turn ON electrical power to your furnace.



A91410

11

A91411



12

UPFLOW FURNACE FILTER TABLE

FURNACE CASING WIDTH	FILTER SIZE		FILTER TYPE
	Side Return	Bottom Return	
14-3/16	(1) 16 x 25 x 1*	(1) 14 x 25 x 1	Cleanable
17-1/2	(1) 16 x 25 x 1*	(1) 16 x 25 x 1	Cleanable
21	(1) 16 x 25 x 1	(1) 20 x 25 x 1*	Cleanable
24-1/2	(2) 16 x 25 x 1*	(1) 24 x 25 x 1	Cleanable

DOWNFLOW FURNACE FILTER TABLE

FURNACE CASING WIDTH	FILTER SIZE	FILTER TYPE
14-3/16	(2) 16 x 20 x 1*	Cleanable
17-1/2	(2) 16 x 20 x 1*	Cleanable
21	(2) 16 x 20 x 1*	Cleanable
24-1/2	(2) 16 x 20 x 1*	Cleanable

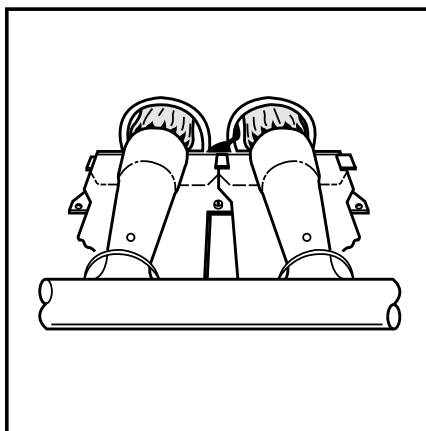
* Factory provided with the furnace. Filter may be field modified by cutting as required. Alternate sizes and additional filters may be ordered from your dealer.

COMBUSTION AREA AND VENT SYSTEM

Inspect the combustion area and vent system before each heating season. An accumulation of dirt, soot, or rust can mean a loss of efficiency and improper performance. Buildups on the main burners or pilot assembly can cause faulty firing. This “delayed ignition” is characterized by an alarmingly loud sound. If your furnace makes a loud noise when the main burners are ignited by the pilot, shut down the furnace—call your servicing dealer. Refer to the lighting instructions label on the blower door for shutdown procedures.

Use your flashlight and follow these steps for inspecting the combustion area and vent system of your furnace:

1. Turn off the electrical supply to the furnace and remove the access doors. (See Fig. 1 or 2.)
2. Carefully inspect the gas burner for dirt, rust, or scale. (See Fig. 13.) Then, inspect the relief box, flue connection area, and the vent pipe for rust.



A91412

13

NOTE: If dirt, rust, soot, or scale accumulations are found, call your servicing dealer. **DO NOT OPERATE THE FURNACE.**

3. Inspect the vent pipe for sags, holes, or a disconnection. A horizontal vent pipe must slope upward. If rusty joints or seams, or signs of water leakages are found call your dealer for service.

⚠ WARNING: If holes are found—or if the vent pipe is obstructed or is not connected—toxic fumes can escape into your home. **DO NOT OPERATE YOUR FURNACE.** Call your dealer for service. A failure to follow this warning could result in personal injury or death.

4. Replace the access doors and restore electrical power to the furnace. Be sure bottom door flange is inside of the furnace casing. (See Fig. 6, 7, and 10.)
5. Start the furnace and observe its operation. If possible, watch the burner flames. Are they burning bright blue? If not (or if you suspect some other malfunction), call your servicing dealer.

BEFORE YOU REQUEST A SERVICE CALL

BEFORE YOU CALL FOR SERVICE, CHECK FOR SEVERAL EASILY SOLVED PROBLEMS:

Check for sufficient airflow. Check the air filter for dirt. Check for blocked return-air or supply-air grilles. Be sure they are open and unobstructed. If this isn't the cause, call your servicing dealer.

If your furnace isn't operating at all, check the following list for easily solved problems:

Is your thermostat set above room temperature? Is the switch in the HEAT position?

Is the electrical power supply switch ON? Is the blower access door firmly in place? Are any fuses blown—has a circuit breaker tripped? (There is a fuse on the furnace control board.)

Is the manual shut-off valve in the gas supply pipe leading to the furnace open? Does the lever point in the same direction that the pipe runs (open)? Or is it at right angles (closed)?

NOTE: Before proceeding with the next checks, turn OFF the electrical power supply to the furnace. Remove the control access door. The blower access door must be installed to permit furnace operation. On downflow furnaces, the blower access door must be removed before the control access door is removed, then reinstalled.

Is the control knob on the gas valve turned to the ON position? If this or the preceding check shows an interruption in the gas supply, make sure the gas has not been shut off for safety reasons.

Check for pilot flame. If there is no pilot flame, follow the manual start-up procedures or the furnace lighting instruction label. If the pilot flame exists, check the control knob on the gas valve. If the knob is in the PILOT position, turn it to ON and complete the start-up procedures.

If for some reason the vent is blocked, the draft safeguard switch will shut off the furnace. Reset the switch by pushing the button located on top of the switch.

If the switch trips a second time, turn off the furnace and call for service.

DOWNFLOW FURNACE ONLY—Check the manual-reset auxiliary limit switch located on the blower housing. If the blower motor fails, this switch will shut off the furnace. Reset it by pushing the button on the switch. If it trips again, turn off the furnace and call for service.

If your furnace still fails to operate, call your servicing dealer for troubleshooting and repairs. Tell them the model and serial numbers for your furnace. (You should have them recorded on page 2 of this booklet.) If the dealer knows exactly which furnace you have, he may be able to offer suggestions over the phone, or save valuable time through knowledgeable preparation for the service call.

REGULAR DEALER MAINTENANCE

In addition to the type of routine maintenance you might be willing to do, your furnace should be inspected regularly by a properly trained service technician. An annual inspection (or every other year, at least) should include the following:

1. Inspection of all flue product passages—including the burners, pilot and pilot tube, heat exchanger, relief box, and vent pipe.
2. Inspection of all combustion and ventilation air passages and openings.
3. Close check of all gas pipes leading to (and inside of) your furnace for leaks and/or deterioration.
4. Inspection, cleaning, and lubrication (when required) of the blower motor and wheel.

NOTE: Refer to the unit service procedures for blower motor oiling information. When required, the motor must be oiled by a qualified service technician.

5. Routine inspection and cleaning/replacement of the air filter.
6. Inspection of all supply- and return-air ducts for obstructions, air leaks, and insulation. Any problems found should be resolved at this time.
7. A check for loose connections attaching individual components. Inspection of all electrical wiring and their connections.
8. Operational check of the furnace itself to determine working condition. Repair or adjustment should be made at this time.
9. A check of the physical support around the furnace base for cracks, gaps, sagging etc. Ensure there is a good air seal between the furnace and support.
10. A check of burner and pilot flames. Compare flames to Fig. 13 for proper operation.

Your servicing dealer offers an economical service contract that covers seasonal inspections. Ask him for further details.