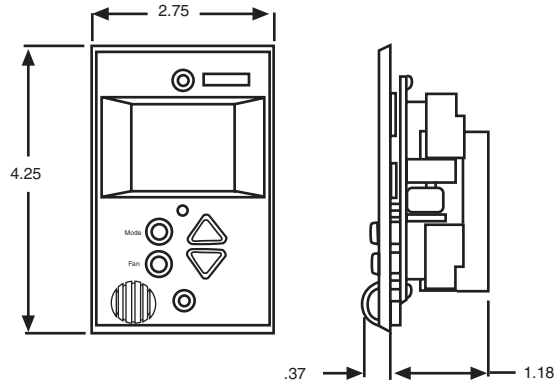




HEATING & COOLING SUBMITTAL
TSTATCCPF701

**7 DAY PROGRAMMABLE
THERMOSTAT**

Programmable Flushmount Thermostat TSTATCCPF701



Standard Features:

- 7 Day Programmable with up to 4 Time Periods per day, with copy command for easy programming
- Low profile design fits flat to wall for attractive, unobtrusive look.
- Large, easy to read display.
- Auto Changeover, 2-Stage Heat/Cool for use with gas/electrics, heat pumps, electric & hydronic heat.
- Dual-Setpoint with adjustable deadband, setpoint adjustment range from 35° to 99°F, switchable to °C.
- Holiday programming (up to 99 days per year).
- Energy Watch keeps track of energy use by tracking heating and cooling hours.
- Energy Star Approved
- Programmable Fan - adjustable 0 to 60 minutes each hour.
- Thermostat Locking—Set points can be adjusted only by authorized individuals if this feature is turned on.

- Thermoglow Continuously Lit Electro-luminous Display.
- Display shows both heating and cooling setpoints and room temperature simultaneously.
- Maintains temperature to within 1° to 6 degrees.
- Temperature sensor calibration.
- All programming and setpoints stored in non-volatile memory, and are never lost in power failure.
- Service filter indicator (adjustable 200 to 1950 hours).
- Backplate available for replacement applications.
- sleek styling and white color blend beautifully into any decor.
- Red/Green LED shows whether thermostat is calling for Heating or Cooling.
- 5-minute compressor time guard and adjustable cycle limit, both overrideable for servicing equipment.
- Optional outdoor sensor and outdoor temperature display.

MODEL:	TSTATCCPF701	QUANTITY:	DATE:
JOB NAME:			
LOCATION:			
BUYER:		BUYER P.O #	
ENGINEER:			

