

# Installation Instructions

Thermostat Backplate


TSTATXX

**NOTE:** Read the entire instruction manual before starting the installation.

This symbol → indicates a change since the last issue.

## SAFETY CONSIDERATIONS

Read and follow manufacturer instructions carefully. Follow all local electrical codes during installation. All wiring must conform to local and national electrical codes. Improper wiring or installation may damage thermostat.

Recognize safety information. This is the safety-alert symbol . When you see this symbol on the equipment and in the instruction manual, be alert to the potential for personal injury.

Understand the signal words DANGER, WARNING, and CAUTION. These words are used with the safety-alert symbol. DANGER identifies the most serious hazards which **will** result in severe personal injury or death. WARNING signifies a hazard which **could** result in personal injury or death. CAUTION is used to identify unsafe practices which **would** result in minor personal injury or product or property damage.

## INTRODUCTION

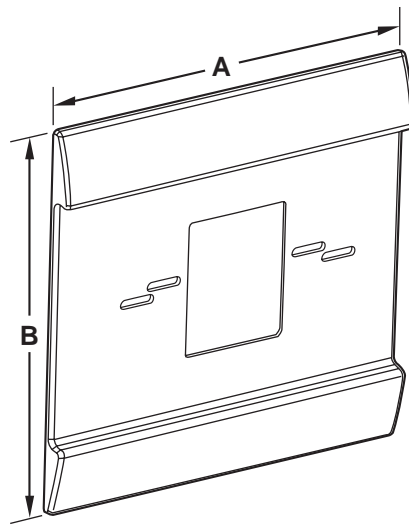
This instruction covers the installation of the Thermostat Backplate for programmable and non-programmable electronic thermostat models. This plate is designed to cover surrounding wall area located behind the thermostat.

## DESCRIPTION AND USAGE

Thermostat backplate can be used to retrofit or new installations to hide imperfections on the wall surface where the thermostat is to be mounted. Refer to Thermostat Installation Instructions for proper installation and location of control. See Table 1 and Figures 1, 2, and 3 for proper backplate size and usage.

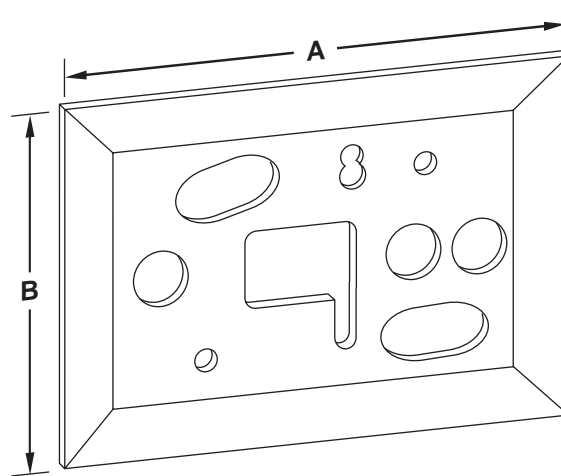
## INSTALLATION

1. Make sure the electrical supply to thermostat is off.
2. Remove the existing thermostat from wall, if applicable.
3. Expose mounting holes on thermostat
4. Route thermostat wires through hole in backplate and mounting base.
5. Align pieces and level mounting base against wall, mark wall through 2 mounting holes.
6. Drill two 3/16-in. mounting holes in wall where marked , secure backplate and mounting base to wall using screws and anchors provided with thermostat.
7. Make sure all wires extend through wall and adjust wire length if necessary. Reassemble and connect wiring as needed. See Thermostat Installation Instructions for proper setup and guideline procedures not covered with this kit. Follow all safety and installation considerations mentioned in the thermostat literature.



A99152

**Fig. 2–Non-Programmable or Standard Programmable Thermostat Backplate**



A00101

**Fig. 3–Builder's Non-Programmable Thermostat Backplate**