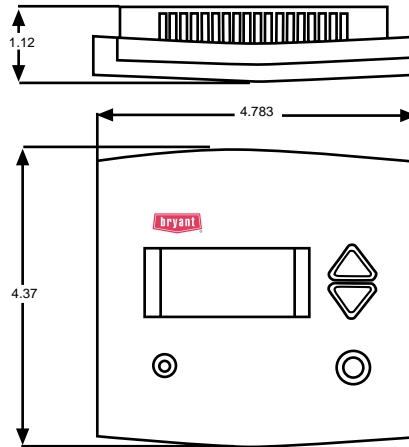




HEATING & COOLING SUBMITTAL
TSTATBBPS701

PROGRAMMABLE THERMOSTAT

SUMITTAL FOR: TSTATBBPS701



STANDARD FEATURES:

- 7 Day Programmable with up to 4 Time Periods per day, with copy command for easy programming
- Large, easy to read display.
- Auto Changeover, 2-Stage Heat/Cool for use with gas/electrics, heat pumps, electric & hydronic heat.
- Dual-Setpoint with adjustable deadband, setpoint adjustment range from 35° to 99°F, switchable to °C.
- Holiday programming (up to 99 days per year).
- Energy Watch keeps track of energy use by tracking heating and cooling hours.
- Programmable Fan - adjustable 0 to 60 minutes each hour, with programmable start and stop times.
- Thermostat Locking - Set points can be adjusted only by authorized individuals if this feature is turned on.
- Thermoglow Continuously Lit Electro-luminous Display.
- Display shows both heating and cooling setpoints and room temperature simultaneously.

- Maintains temperature to within 1° of setpoint.
- Adjustable deadband - can be adjusted 1 to 6 degrees.
- Temperature sensor calibration.
- All programming and setpoints stored in non-volatile memory, and are never lost in power failure.
- Service filter indicator (adjustable 200 to 1950 hours).
- Backplate available for replacement applications.
- Sleek styling and white color blend beautifully into any decor.
- Red/Green LED shows whether thermostat is calling for Heating or Cooling.
- 5 minute compressor time guard and adjustable cycle limit, both overrideable for servicing equipment.
- Optional outdoor sensor and outdoor temperature display.

MODEL:	TSTATBBPS701	QUANTITY:	DATE:
JOB NAME:			
LOCATION:			
BUYER:	BUYER P.O #		
ENGINEER:			



SPECIFICATIONS SUBJECT TO CHANGE WITHOUT NOTICE

UNIT MUST BE INSTALLED IN ACCORDANCE
WITH INSTALLATION INSTRUCTIONS

Cancels: New