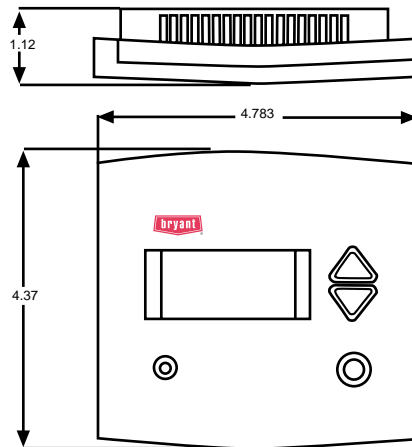




HEATING & COOLING SUBMITTAL
TSTATBBPS101

**SINGLE DAY
PROGRAMMABLE THERMOSTAT**

SUBMITTAL FOR: TSTATBBPS101



STANDARD FEATURES:

- Single Day Programmable with 4 time periods.
- Large, easy to read display.
- Auto Changeover, 1-Stage Cool, 2-Stage Heat for use with gas/electric, heat pumps, electric & hydronic heat.
- Dual-Setpoint with adjustable deadband, setpoint adjustment range from 35° to 99°F.
- Switchable to Fahrenheit or Celsius.
- Extremely easy to program, instructions inside door.
- Thermostat Locking - Set points can be adjusted only by authorized individuals when thermostat is locked.
- Thermoglow Continuously Lit Electro-luminous Display.
- Display shows both heating and cooling setpoints and room temperature simultaneously.

- Maintains temperature to within 1° of setpoint.
- Adjustable deadband - can be adjusted 1 to 6 degrees.
- Temperature sensor calibration.
- All programming and setpoints stored in non-volatile memory, and are never lost in power failure.
- Backplate available for replacement applications.
- Sleek styling and white color blend beautifully into any decor.
- Red/Green LED shows whether thermostat is calling for Heating or Cooling.
- 5 minute compressor time guard and adjustable cycle limit, both overrideable for servicing equipment.

MODEL:	TSTATBBPS101	QUANTITY:	DATE:
JOB NAME:			
LOCATION:			
BUYER:	BUYER P.O #		
ENGINEER:			



SPECIFICATIONS SUBJECT TO CHANGE WITHOUT NOTICE

UNIT MUST BE INSTALLED IN ACCORDANCE
WITH INSTALLATION INSTRUCTIONS

Cancels: New