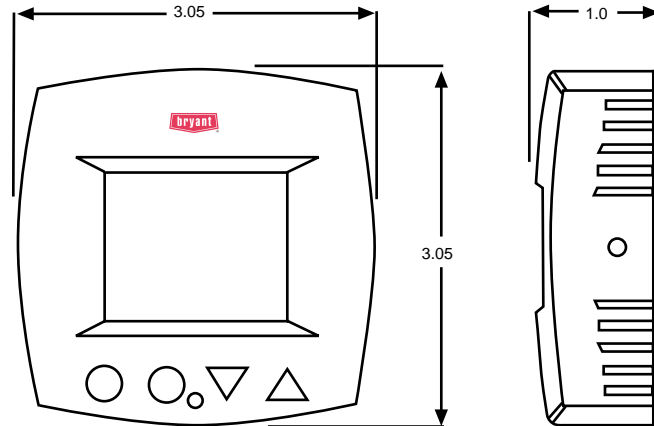




HEATING & COOLING SUBMITTAL
TSTATBBPB501

PROGRAMMABLE THERMOSTAT

SUBMITTAL FOR: TSTATBBPB501



STANDARD FEATURES:

- Auto Changeover, 2-Stage Heat/2-Stage Cool for use with gas/electrics, heat pumps, electric & hydronic heat.
- Dual-Setpoint with adjustable deadband, setpoint adjustment range from 35° to 99°F, switchable to °C.
- Programmable with up to 4 Time Periods per day, separate weekday and weekend programs.
- Thermostat Locking - Set points can only be adjusted by authorized individuals if this feature is turned on.
- Thermoglow Continuously Lit Electro-luminous Display.
- Large number display, extremely easy to operate and program.
- Configurable display can show both heating and cooling setpoints and room temperature simultaneously.

- Maintains temperature to within 1° of setpoint.
- All programming and setpoints stored in non-volatile memory, and are never lost in power failure.
- Attractive ultra-white design.
- Backplate available for replacement applications.
- Red/Green LED shows whether thermostat is calling for Heating or Cooling.
- 5 minute compressor time guard and adjustable cycle limit, both overrideable for servicing equipment.
- Extremely simple to operate with extra large display and large, soft buttons.
- Meets California Residential Title 24.

MODEL:	TSTATBBPB501	QUANTITY:	DATE:
JOB NAME:			
LOCATION:			
BUYER:	BUYER P.O #		
ENGINEER:			



SPECIFICATIONS SUBJECT TO CHANGE WITHOUT NOTICE

UNIT MUST BE INSTALLED IN ACCORDANCE
WITH INSTALLATION INSTRUCTIONS

Cancels: New