



## HEATING & COOLING SUBMITTAL

TSTATBBPAC01-B

TSTATBBPHP01-B

TSTATBBP2S01-B

## PROGRAMMABLE THERMOSTATS

The Bryant electronic programmable thermostat product line includes air conditioner, heat pump, and 2-speed models. These units feature non-mercury based electronic controls built into a subtle, slim plastic enclosure. They require no battery backup.

**CLEAN DESIGN**—Features soft, responsive buttons and an easy-to-read backlit Liquid Crystal Display (LCD).

**ACCURATE, RELIABLE TEMPERATURE CONTROL**—LCD shows current room temperature at all times, and desired temperature prompts upon demand.

**AUTO CHANGEOVER**—Switches system operation automatically when both heating and cooling are needed on the same day. It can be disabled if not necessary in certain areas of the country.

**OUTDOOR TEMPERATURE DISPLAY**—Allows a check of the temperature outside before leaving home. Optional on all models.

**CLEAN FILTER INDICATOR**—Tells when it is time to clean the system's filter.

**BATTERY FREE**—Non-volatile RAM chip requires no battery backup. Program is retained in memory so reprogramming is not required after power loss.

**EQUIPMENT ON INDICATOR**—When the cooling system is operating, the word COOL preceded by a small triangle is displayed below the cooling set point. When the heating equipment is operating, the word HEAT preceded by a small triangle is displayed below the heating set point. If the equipment turn on is being delayed, the triangle and the word will flash.

**COMFORT AND ENERGY SAVINGS**—Seven day programming, with 4 temperature changes provided per day, means comfort when the family is at home and savings through reduced energy usage when the family is away or asleep.

**EASY TO USE**—Simple instructions are located inside the thermostat's door.

**DUPLICATE PROGRAMMING**—Copy the comfort schedule from one day to the next using the copy previous day function.

**OVERRIDE CAPABILITY**—Hold function allows the regular schedule to be by-passed with a temporary setting.

**SMART RECOVERY**—Provides consistent heating right on time as it gradually adjusts indoor temperatures before a scheduled change.

**TIMEGUARD**—Equipment protection.

**PERFECT COMPLEMENT**—Completes your Bryant total comfort system needs.

**ROOM TEMPERATURE OFFSET**—Room temperature may be offset by up to 5°F in either direction to accommodate end user's needs.

**AUXILIARY HEAT LOCKOUT SETTING**—This option prevents auxiliary heat from coming on above a selected outdoor air temperature when configured as a heat pump thermostat using the outdoor air sensor.

**LIMITED WARRANTY**—Standard 1-year warranty available on all parts.

### PHYSICAL CHARACTERISTICS

Dimensions: See drawing

Appearance: Plastic, eggshell color, textured

### ELECTRICAL CHARACTERISTICS

Input Volts/Amps: 24vac, 5 VA

### ENVIRONMENTAL REQUIREMENTS

Operating Temperature/Relative Humidity:

32°F (0°C) to 104°F (40°C),

95% rh non-condensing

Storage Temperature/Relative Humidity:

-40°F (-40°C) to 134°F (56°C),

95% rh non-condensing

### PROGRAM SPECIFICATIONS

Temperature set point range: 40°F (4°C) to 90°F (32°C)

Separate heat and cool set points

Auto changeover—can be disabled

Clean filter reminder: installer adjustable

Permanent memory

Programming days: 7 day

Programming periods: 4—Wake, Day, Eve, Sleep

Hold function

Copy previous day function

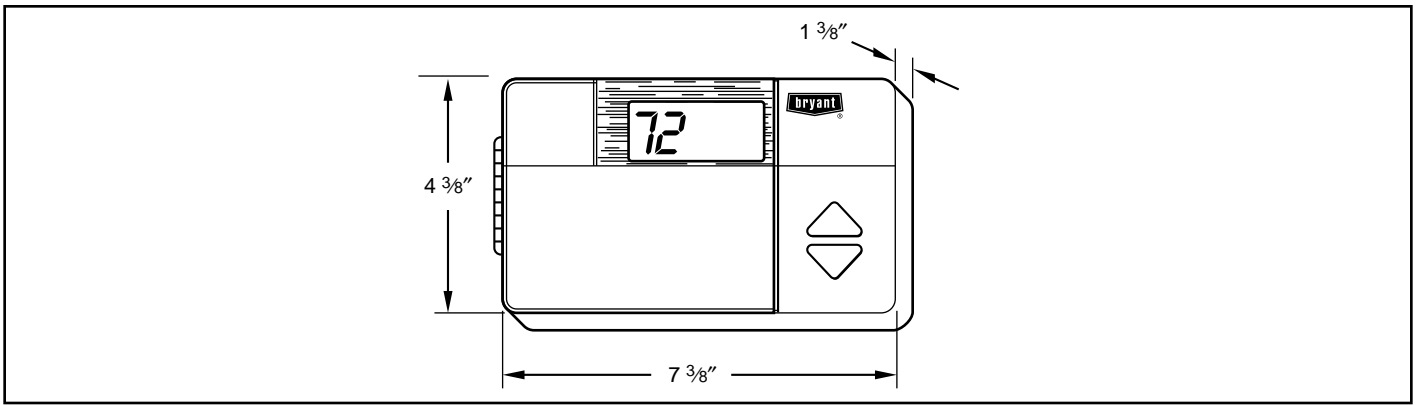
Equipment on indicator

### WIRING REQUIREMENTS

Power: 24vac nominal, 18- to 30-vac, 50/60 Hz

Wiring: Standard thermostat wire 18 to 22 gage.

# PHYSICAL DIMENSION PRINT



## SUBMITTAL DATA

Date \_\_\_\_\_

Job Name \_\_\_\_\_

Architect \_\_\_\_\_

Engineer \_\_\_\_\_

Contractor \_\_\_\_\_

Unit Designation \_\_\_\_\_

## UNIT DATA

Location \_\_\_\_\_

Unit Model No. \_\_\_\_\_

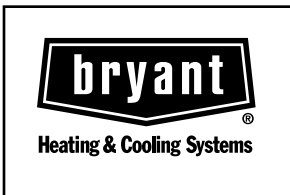
Unit Volts-Phase-Hertz \_\_\_\_\_

Operating Voltage Range \_\_\_\_\_

P.O.# \_\_\_\_\_

## ACCESSORIES

- \_\_\_\_\_
- \_\_\_\_\_
- \_\_\_\_\_
- \_\_\_\_\_
- \_\_\_\_\_



SPECIFICATIONS SUBJECT TO CHANGE WITHOUT NOTICE

UNIT MUST BE INSTALLED IN ACCORDANCE WITH INSTALLATION INSTRUCTIONS

Cancels: New