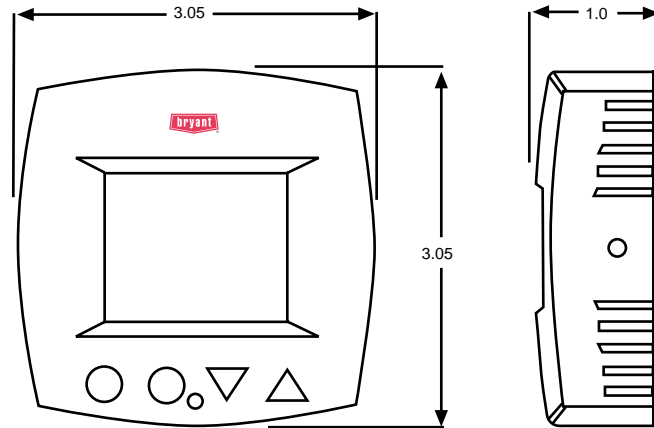




HEATING & COOLING SUBMITTAL
TSTATBBP2W01

**2 WIRE 7 DAY
PROGRAMMABLE THERMOSTAT**

SUBMITTAL FOR: TSTATBBP2W01



STANDARD FEATURES:

- 7 day programmable with 4 time periods per day.
- Programmable, digital, continuously backlit 2-wire thermostat. Replaces 2-wire mechanical stats.
- Only 2 wires needed to power thermostat, and no batteries required.
- Heat-only or cool-only, selectable in setup.
- Adjustable deadband, setpoint adjustment range from 35° to 99°F, switchable to °C.
- Thermostat Locking - Set point can only be adjusted by authorized individuals if this feature is turned on.
- Thermoglow Continuously Lit Electro-luminous Display.
- Large number display, extremely easy to operate and program.
- Display shows setpoint and room temperature simultaneously.

- Maintains temperature to within 1° of setpoint.
- All programming, configuration and setpoint stored in non-volatile memory, never lost in power failure.
- Attractive ultra-white design.
- Backplate available for replacement applications.
- Red/Green LED shows when thermostat is calling for Heating or Cooling.
- 5 minute compressor time guard and adjustable cycle limit, both overrideable for servicing equipment.
- Extremely simple to operate with extra large display and large, soft buttons.
- Displays outdoor temperature when optional outdoor sensor is used.
- Meets California Residential Title 24.

MODEL:	TSTATBBP2W01	QUANTITY:	DATE:
JOB NAME:			
LOCATION:			
BUYER:	BUYER P.O #		
ENGINEER:			



SPECIFICATIONS SUBJECT TO CHANGE WITHOUT NOTICE

UNIT MUST BE INSTALLED IN ACCORDANCE
WITH INSTALLATION INSTRUCTIONS

Cancels: New