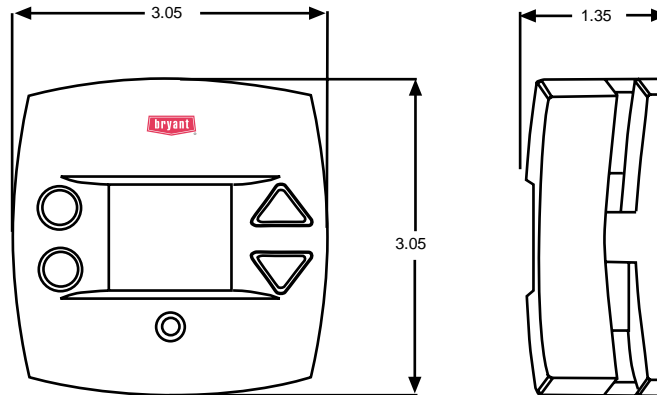




HEATING & COOLING SUBMITTAL
TSTATBBN2W01

2 WIRE NON-PROGRAMMABLE
THERMOSTAT

SUBMITTAL FOR: TSTATBBN2W01



STANDARD FEATURES:

- Digital, continuously backlit thermostat. Replaces 2-wire mechanical thermostats.
- Only 2 wires needed to power thermostat, and no batteries required.
- Heat-only or cool-only, selectable in setup.
- Adjustable deadband, setpoint adjustment range from 35° to 99°F, switchable to °C.
- Thermostat Locking - Set points can only be adjusted by authorized individuals when locked.
- Thermoglow Continuously Lit Electro-luminous Display.
- Display shows setpoint and room temperature simultaneously.

- Maintains temperature to within 1° of setpoint.
- All configuration and settings stored in non-volatile memory, and are never lost in power failure.
- Attractive ultra-white design.
- Backplate available for replacement applications.
- Red/Green LED shows whether thermostat is calling for Heating or Cooling.
- 5-minute compressor time guard and adjustable cycle limit, both overrideable for servicing equipment.
- Extremely simple to operate with extra large display and large, soft buttons.
- Displays outdoor temperature when optional outdoor sensor is used.

MODEL:	TSTATBBN2W01	QUANTITY:	DATE:
JOB NAME:			
LOCATION:			
BUYER:	BUYER P.O #		
ENGINEER:			



SPECIFICATIONS SUBJECT TO CHANGE WITHOUT NOTICE

UNIT MUST BE INSTALLED IN ACCORDANCE
WITH INSTALLATION INSTRUCTIONS

Cancels: New