

The Thermostat shall:

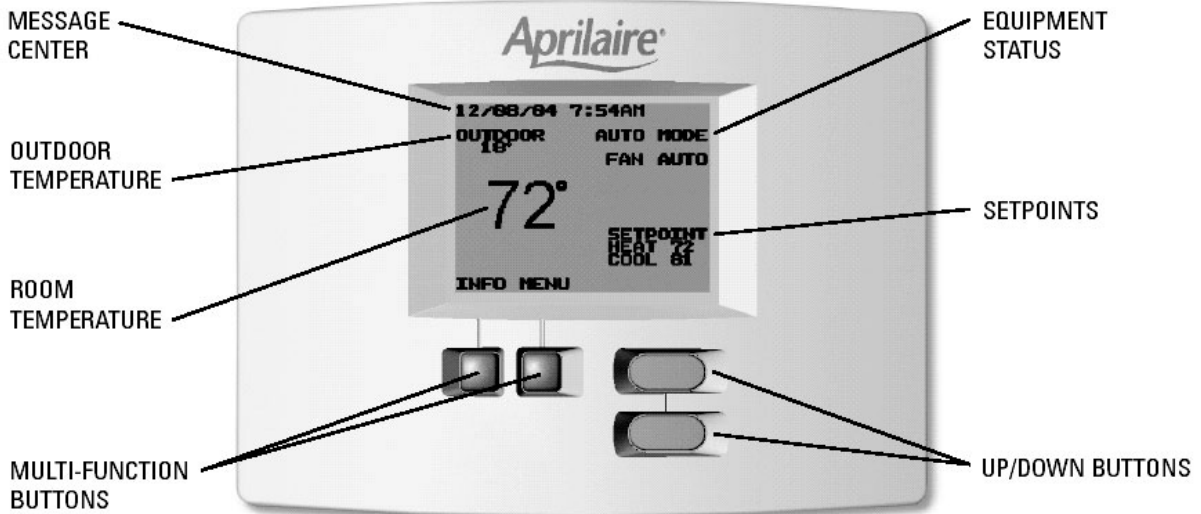
- Be compatible with rooftop, radiant, and split system equipment
- Be designed for use with single and multi-stage heat/cool and heat pump equipment
- Not require the use of multiple sub-bases
- Be powered by 24 VAC
- Incorporate an intuitive menu driven display to simplify programming
- Feature user selected 5/1/1, 5/2 or 7 day programming
- Be backlit
- Include passcode protected keypad lockout
- Feature both temporary and permanent temperature hold settings
- Be compatible with Aprilaire Model 8051 flush mount temperature sensor
- Be compatible with Aprilaire Model 8052 return plenum temperature sensor to allow return plenum temperature averaging
- Include a programmable fan schedule to ensure proper ventilation
- Feature programmable occupied and un-occupied modes to ensure proper temperature settings when business is operating and energy savings when business is closed
- Include a selectable pre-set daylight savings feature to automatically re-set the thermostats clock during day-light savings time and reset it after
- Include a Holiday mode to allow for an easy energy savings set-back strategy during unscheduled unoccupied times
- Be pre-programmed to meet Energy Star requirements
- Feature a backup feature to hold program settings in the event of a power failure
- Feature a selectable progressive recovery to allow for energy savings while maintaining temperature set points
- Be capable of displaying outside air temperature
- Be capable of displaying building relative humidity
- Be capable of displaying temperature in Fahrenheit or Celsius
- Include a field calibration feature to allow actual temperature setting to be coordinated with other temperature reading devices
- Include service reminders/timers for humidifiers, air cleaners, & UV germicidal lamps and general service of HVAC equipment
- Allow for the installing contractors contact information to be programmed into the thermostat as a convenience for the building owner in the event service is required
- Be the Aprilaire Model 8570 Programmable Thermostat



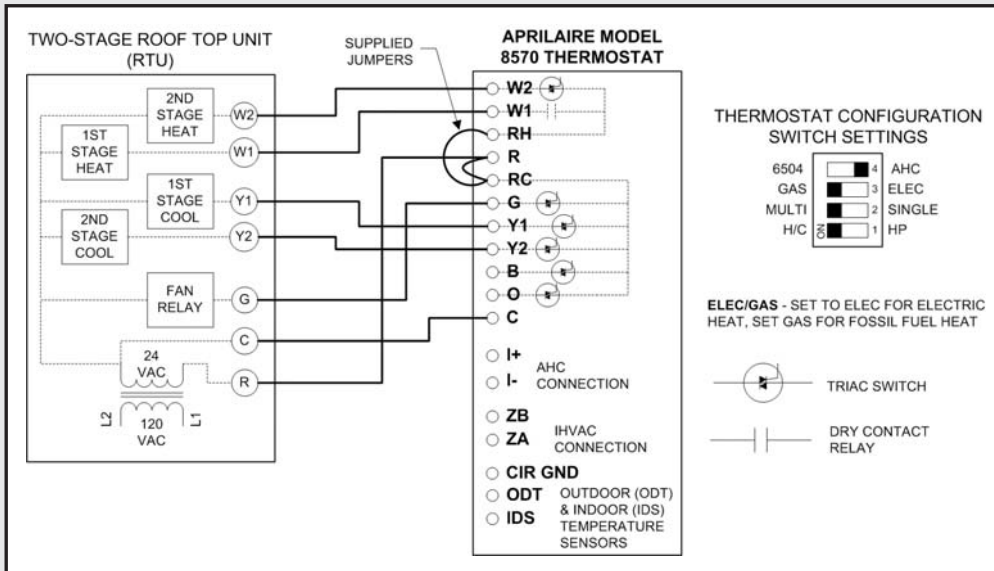
MODEL 8570 TECHNICAL SPECIFICATIONS	
ELECTRICAL	
Thermostat Voltage	24-volts ±20% AC or DC
Max. Total Load Current	2A
Max. Load Current thru Single Output	1A
Solid State Output Residual Current	Less than 5 mA
Voltage Drop at Solid State Outputs	Less than 1-volt
THERMAL	
Operating Range	32°F – 99°F (0 C – 37 C)
Display Accuracy	±1°F between 60°F and 80°F, ±2°F outside this range
Control Accuracy	±1°F
Control Range Heat	40°F – 88°F (4 C – 30 C)
Control Range Cool	42°F – 90°F (6 C – 32 C)
Heat/Cool Deadband	2°F or C
1st Stage Differential	Adjustable 1°F – 3°F (1°F default)
2nd Stage Differential	Adjustable 1°F – 3°F (1°F default)



MODEL 8570 THERMOSTAT



WIRING DIAGRAM - TYPICAL 2-STAGE PACKAGED RTU WIRING SHOWN



RESEARCH PRODUCTS RESERVES THE RIGHT TO CHANGE SPECIFICATIONS WITHOUT NOTICE.