

**READ COMPLETE SAFETY INSTRUCTIONS AND INSTALLATION TEMPLATE BEFORE STARTING  
TEMPLATE MUST BE LEVEL**

# Aprilaire® AUTOMATIC HUMIDIFIER MODEL 600

Unpack the contents of the Model 600 box. Look at the drawing and parts list and make sure all the parts are present.

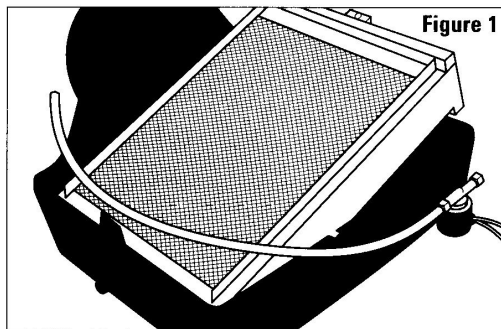


Figure 1

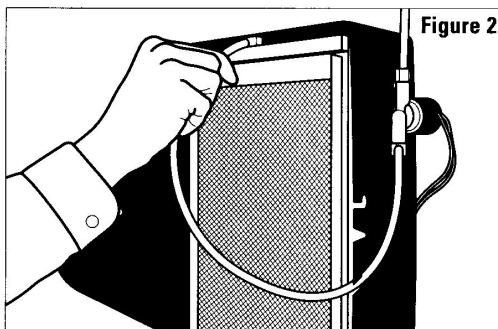


Figure 2

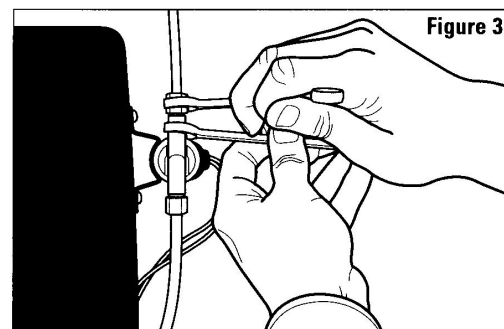


Figure 3

**1.** Remove front cover by pressing center tabs on top and bottom of the cover (1) and base (2). Pull feed tube (3) out of water distribution tray (4). Lift the Water Panel Evaporator assembly out of the base. (See Figure 1)

The unit comes assembled for left side discharge. If converting to right side discharge, the base can be rotated so round collar is facing to the right. Swap the location of

drain spud and drain cap if using a right side discharge. To remove the drain spud, twist and push up from the inside of the base.

**2.** Using a level, position this template at least 3" above the furnace housing or cooling coil, if applicable, for clearance of the drain line. Trace around template edges. Remove it and cut the plenum opening.

Place the unit into the plenum opening, install six #8 x 3/4" Plated

Hex Head SMS screws (not furnished) at the top and sides of the unit interior.

**3.** Install a 6" collar in a convenient location on the opposite plenum. Attach a 90° elbow and measure the length of 6" round duct required to make the connection. Attach duct with sheet metal screws. Support bypass duct in excess of 4' to prevent sagging.

**4.** Re-install the Water Panel Evaporator assembly back into the base, with the bottom of the scale control insert (6) sitting firmly in the inside of the drain spud (9). Push the feed tube back into the water distribution tray. (See Figure 2) Put the front cover back on. If the nameplate (11) is upside down, remove it by gently squeezing the tabs of the nameplate from inside the cover and pushing out. Rotate the nameplate so it is right side up, and snap back into place. Turn damper handle (8), to the open position "winter" for the heating season or closed position "summer" for the cooling season.

**5.** Install the Aprilaire Humidifier Control in the return air duct using the installation instructions enclosed. See reverse side for wiring diagram. For detailed installation and wiring instructions see form #DP 10005402, included with humidifier.

Wire 24 VAC transformer to power source other than furnace fan motor circuit. Transformer can be powered off the 120 VAC line at the junction box **before** it enters furnace or from 120 VAC furnace accessory terminals. See furnace manufacturer's recommendations for wiring.

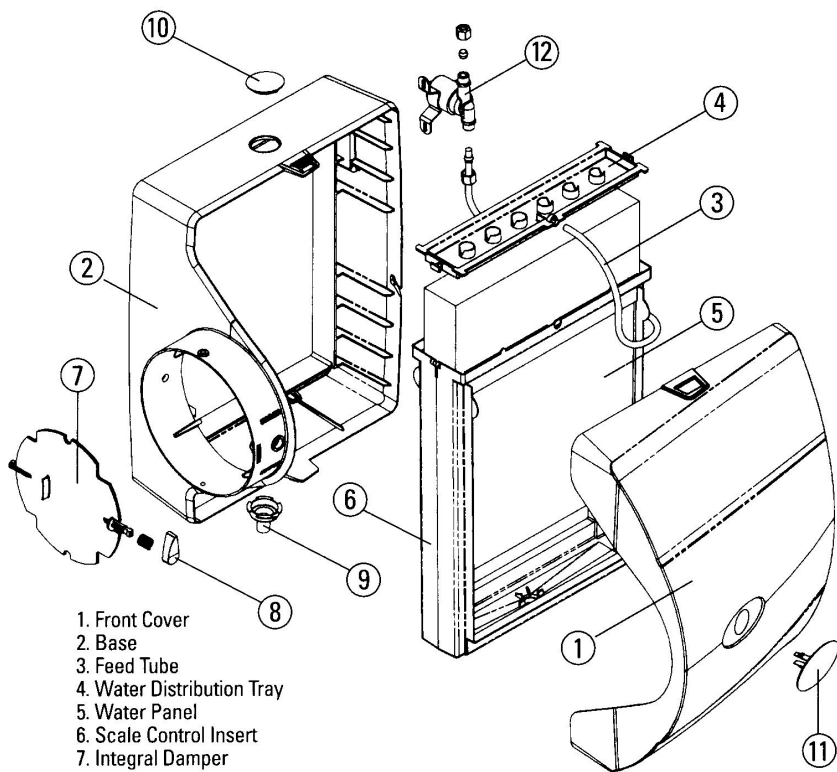
**6.** Tap into a water supply line with the saddle valve furnished. The humidifier will function with cold, hot, softened, or unsoftened water. The use of service hot water (140° max) and constant blower operation will provide maximum evaporative capacities. **When installing humidifier on heat pump system, unit must be supplied with service hot water.**

**NOTE: The saddle valve is designed to be fully opened or closed. Do not use it to regulate water flow.**

**7.** Connect tubing from the saddle valve to the inlet side of the solenoid valve using 1/4" O.D. copper tubing (not furnished). **DOUBLE WRENCH TO PREVENT LEAKING!** (See Figure 3)

**8.** Connect 1/2" I.D. plastic hose (not furnished) from drain spud to floor drain. Be sure drain hose has continuous slope. **NOTE: Do not sweat or directly attach metal drain line to fitting. Do not use solvent type adhesive when connecting plastic drain hose, since damage to fitting could result.**

**9.** Open saddle valve completely and turn on furnace. Check to see if unit is water tight and all electrical components function properly by utilizing humidification system check out section of Aprilaire Humidifier Control Installation Instructions, form #DP 10005402.



- 1. Front Cover
- 2. Base
- 3. Feed Tube
- 4. Water Distribution Tray
- 5. Water Panel
- 6. Scale Control Insert
- 7. Integral Damper
- 8. Damper Handle
- 9. Drain Spud
- 10. Drain Cap
- 11. Nameplate
- 12. Solenoid Valve

**IMPORTANT!** Be sure warranty card and owner's manual containing instructions explaining operation of unit are given to owner in order to save unnecessary calls. Warranty card should be filled out and sent to factory immediately following installation. Warranty is void unless unit is installed by qualified heating and air conditioning contractor due to possible misapplication of product.

[www.GoGeisel.com](http://www.GoGeisel.com)