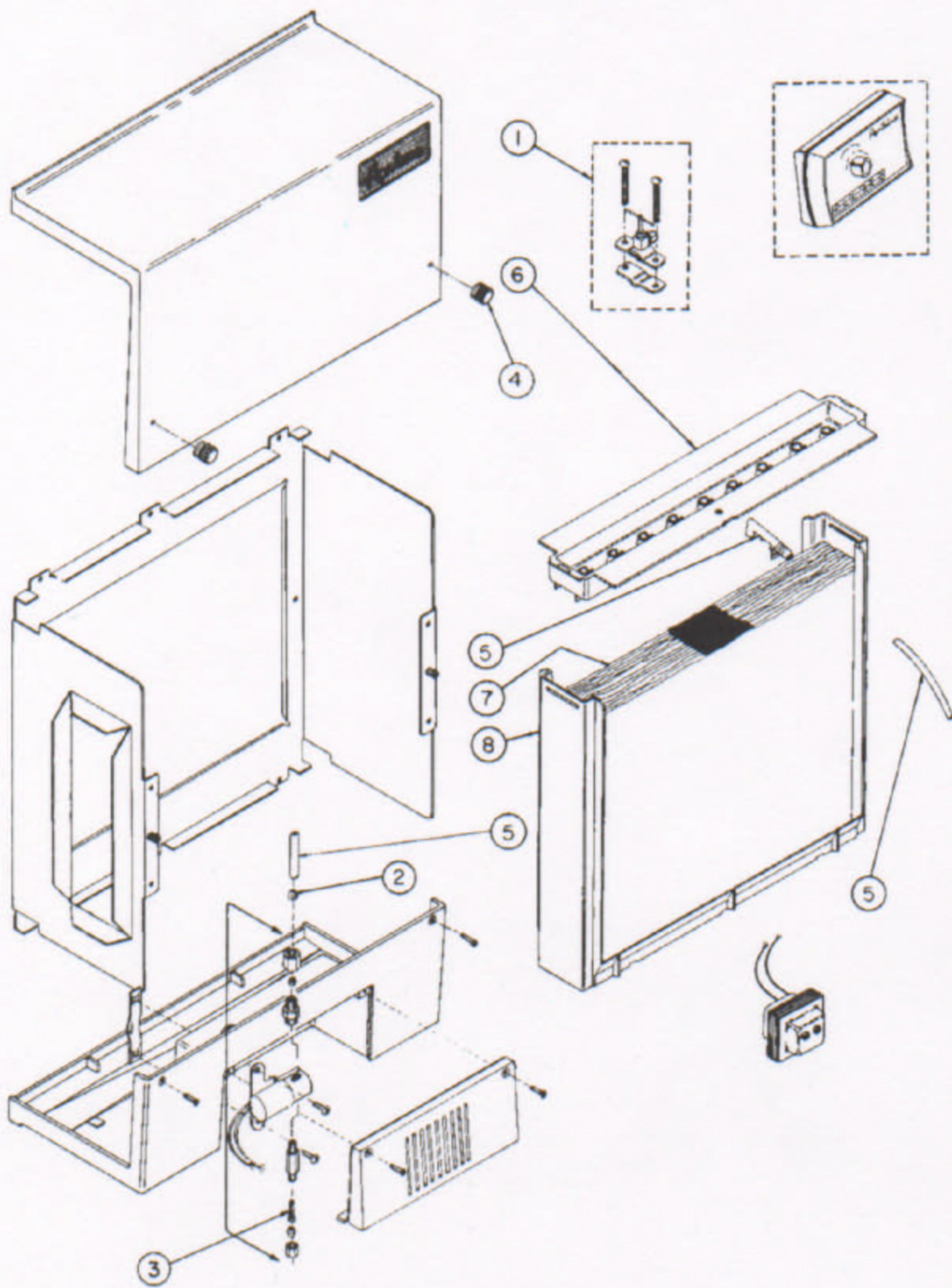
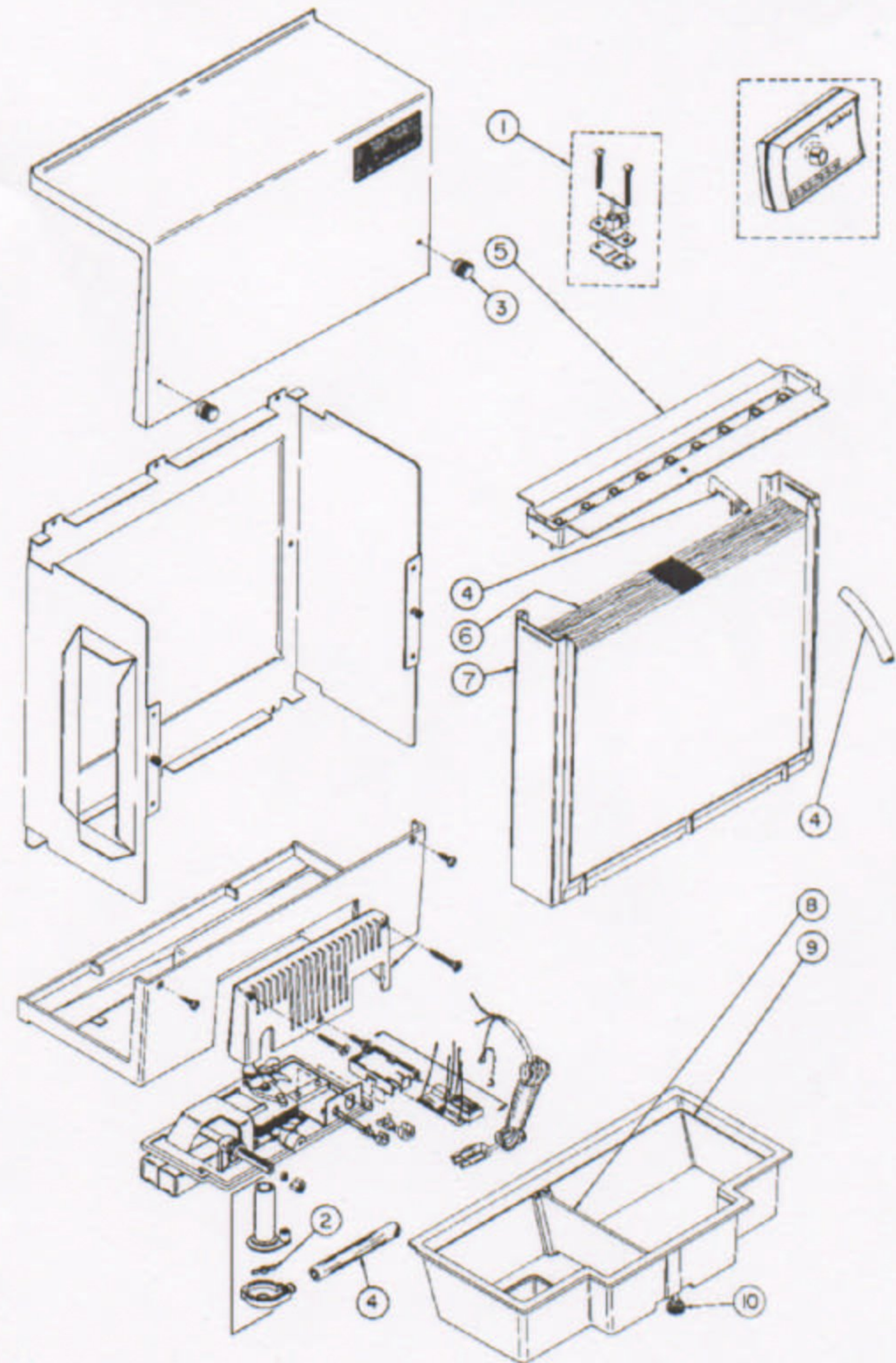


MODEL 440



MODELS 448, 445A & 445



GoGeisel.com

Instructions for Ordering Parts Specify:

MODEL NO. — PART NAME — PART NO.

NO.	PART NAME	PART NO.
1	Saddle Valve	4001
2	Orifice (Blue)	4232
3	In-Line Strainer	4004
4	Knob (Top Cover)	4166
5	Feed Tube and Nozzle	4079
6	Water Distribution Tray	4081
7	Water Panel® Evaporator	12
8	Scale Control Insert	4080

Instructions for Ordering Parts Specify:

MODEL NO. — PART NAME — PART NO.

NO.	PART NAME	PART NO.
1	Saddle Valve	4001
2	Impellor (included in Pump Assembly)	4148
3	Knobs (Top Cover)	4166
4	Hose and Nozzle	4091
5	Water Distribution Tray	4081
6	Water Panel® Evaporator	12
7	Scale Control Insert	4080
8	Reservoir Divider	4092
9	Reservoir Liner	4093
10	Reservoir Bolt Kit	4101