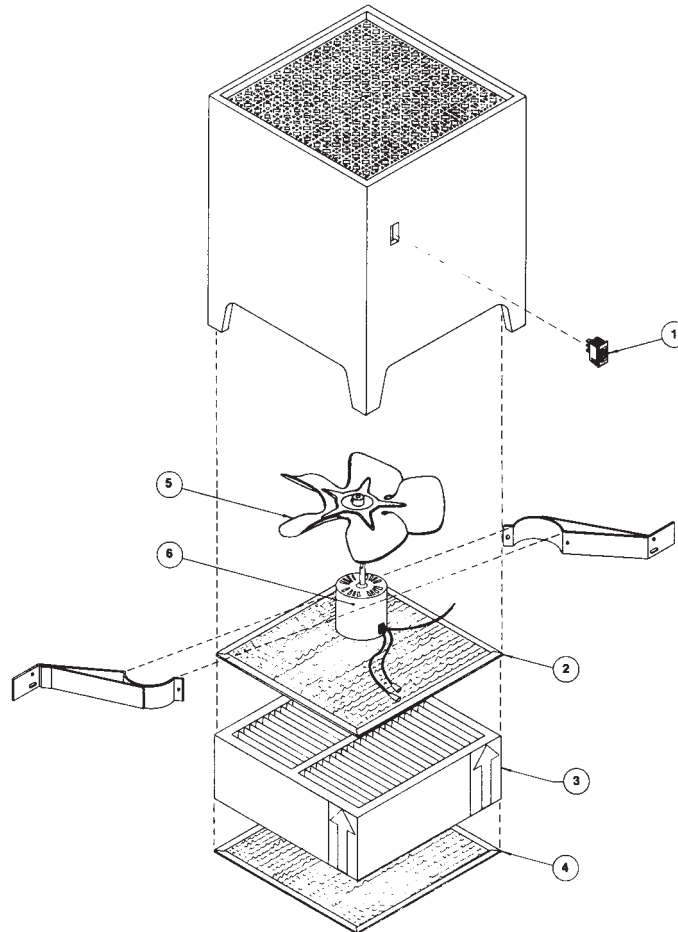




DEALER PARTS LIST

Model 2275



NO.	PART NAME	Qty/Ctn	PART NO.
1	Switch	1	4172
2	Safety Screen	1	4175
3	Media	10	275
4	Pre-Filter	1	4176
5	Fan Blade	1	4173
6	Motor	1	4174

We reserve the right to make modifications as deemed necessary in line with our policy to continue supplying the finest equipment available.



P.O. BOX 1467 • MADISON, WI 53701-1467
 Call toll-free 1-800-334-6011 • FAX 608/257-4357