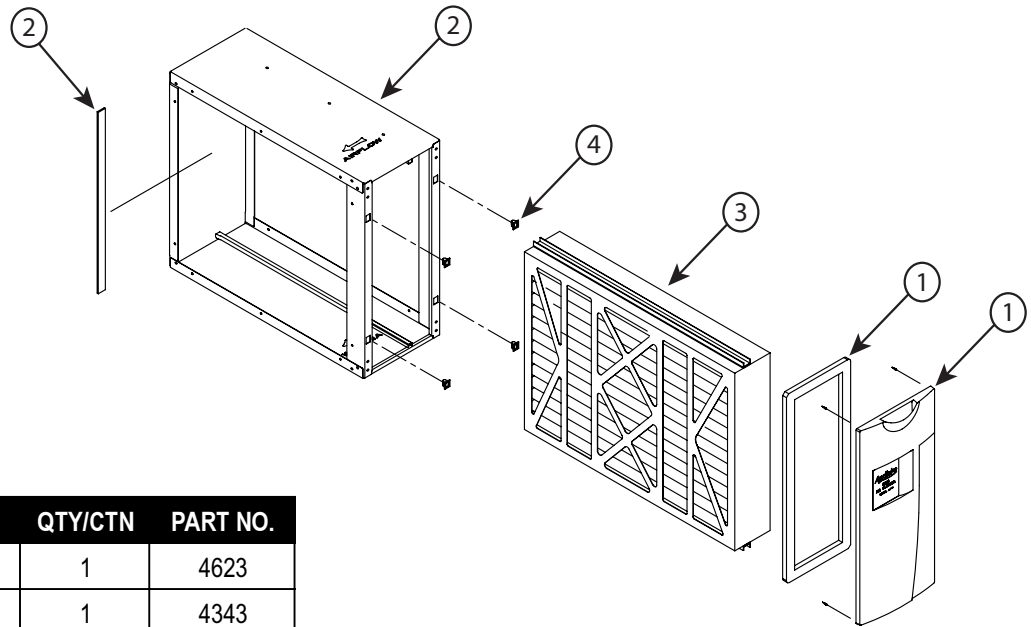
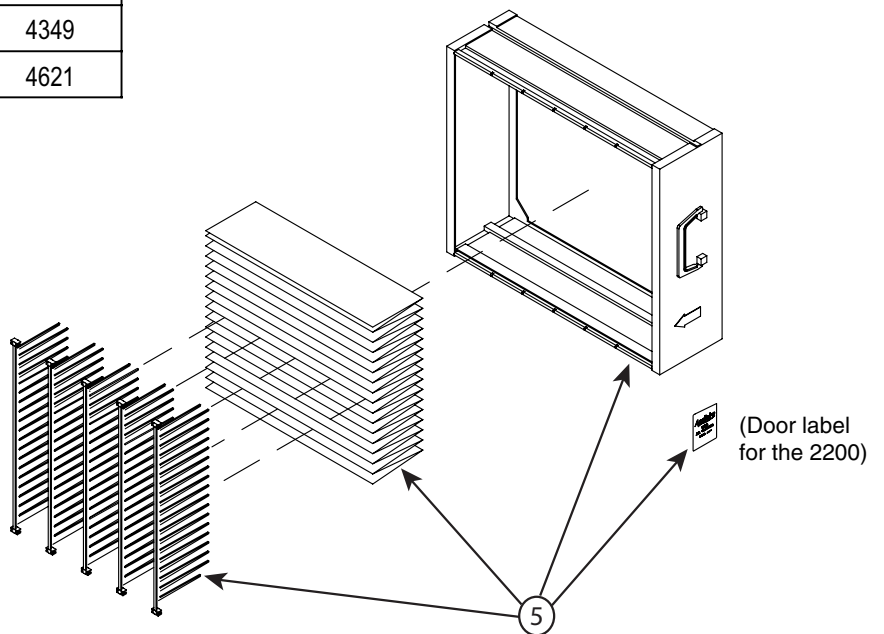


## DEALER PARTS LIST

### Model 2120



NO.	PART NAME	QTY/CTN	PART NO.
1	Door	1	4623
2	Outer Housing	1	4343
3	Filter Cartridge	5	102
4	Latches	4	4349
5	Upgrade Kit	1	4621



We reserve the right to make modifications as deemed necessary in line with our policy to continue supplying the finest equipment available.